

RCL114012**Weidmüller Interface GmbH & Co. KG**

Klingenbergstraße 26

D-32758 Detmold

Germany

www.weidmueller.com

Product image

Similar to illustration

General ordering data

Version	RIDERSERIES RCL, Relay, Number of contacts: 1, CO contact AgNi 90/10, Rated control voltage: 12 V DC, Continuous current: 12 A, Plug-in connection
Order No.	8693190000
Type	RCL114012
GTIN (EAN)	4032248364657
Qty.	20 pc(s).

Creation date March 29, 2021 11:10:53 PM CEST

Catalogue status 12.03.2021 / We reserve the right to make technical changes.

RCL114012

Weidmüller Interface GmbH & Co. KG

Klingenbergstraße 26

D-32758 Detmold

Germany

www.weidmueller.com

Technical data

Dimensions and weights

Depth	15.7 mm	Depth (inches)	0.618 inch
Height	29 mm	Height (inches)	1.142 inch
Net weight	14.75 g	Width	12.7 mm
Width (inches)	0.5 inch		

Temperatures

Storage temperature	-40 °C...85 °C	Operating temperature	-40 °C...70 °C
Humidity	40 °C / 93 % rel. humidity, no condensation		

Rated data UL

Certificate No. (cURus)	E224238
-------------------------	---------

Control side

Coil resistance	360 Ω ± 10 %	Power rating	400 mW
Pull-in/drop-out voltage, typ.	8.4 V / 1.2 V DC	Rated control voltage	12 V DC
Rated current DC	33.3 mA		

Load side

AC switching capacity (resistive), max.	3000 VA	Continuous current	12 A
DC switching capacity (resistive), max.	288 W @ 24 V	Inrush current	25 A / 4 s
Max. switching frequency at rated load	0.1 Hz	Max. switching voltage, AC	400 V
Min. switching power	1 mA @ 24 V, 10 mA @ 12 V, 100 mA @ 5 V	Rated switching voltage	250 V AC
Switch-off delay	≤ 6 ms	Switch-on delay	≤ 8 ms

Contact data

Contact type	1 CO contact (AgNi 90/10)	Mechanical service life	AC coil 10 x 10 ⁶ switching cycles, DC coil 30 x 10 ⁶ switching cycles
--------------	---------------------------	-------------------------	---

General data

Test button	No	Mechanical switch position indicator	No
Colour	Transparent	UL 94 flammability rating	V-2

Insulation coordination

Creepage and clearance distance input – output	≥ 10 mm	Dielectric strength of open contact	1 kV _{eff} / 1 min
Dielectric strength, Input/Output	5 kV _{eff} / 1min	Insulating material group	IIIa
Pollution severity	2	Protection degree	IP20
Rated voltage	250 V	Surge voltage category	III

Further details of approvals / standards

Standards	IEC 61810-1, UL508	Certificate No. (CSA)	249409-2426937
Certificate No. (VDE)	40020589	Certificate No. (cURus)	E224238

Data sheet

RCL114012

Weidmüller Interface GmbH & Co. KG
 Klingenbergstraße 26
 D-32758 Detmold
 Germany

www.weidmueller.com

Technical data

Connection data

Wire connection method	Plug-in connection	Pitch in mm (P)	3.5 mm
------------------------	--------------------	-----------------	--------

Classifications

ETIM 6.0	EC001437	ETIM 7.0	EC001437
ECLASS 9.0	27-37-16-01	ECLASS 9.1	27-37-16-01
ECLASS 10.0	27-37-16-01	ECLASS 11.0	27-37-16-01

Approvals

Approvals



ROHS	Conform
UL File Number Search	E224238

Downloads

Engineering Data	EPLAN_WSCAD
------------------	-----------------------------

RCL114012

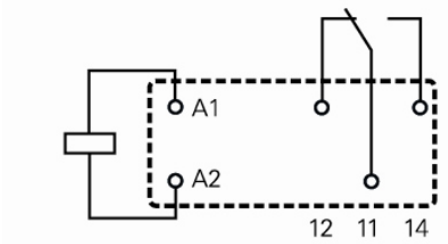
Weidmüller Interface GmbH & Co. KG
Klingenbergstraße 26
D-32758 Detmold
Germany

www.weidmueller.com

Drawings**Wiring diagram****Circuit diagram**

View on pins

1 C/O changeover contacts



Data sheet

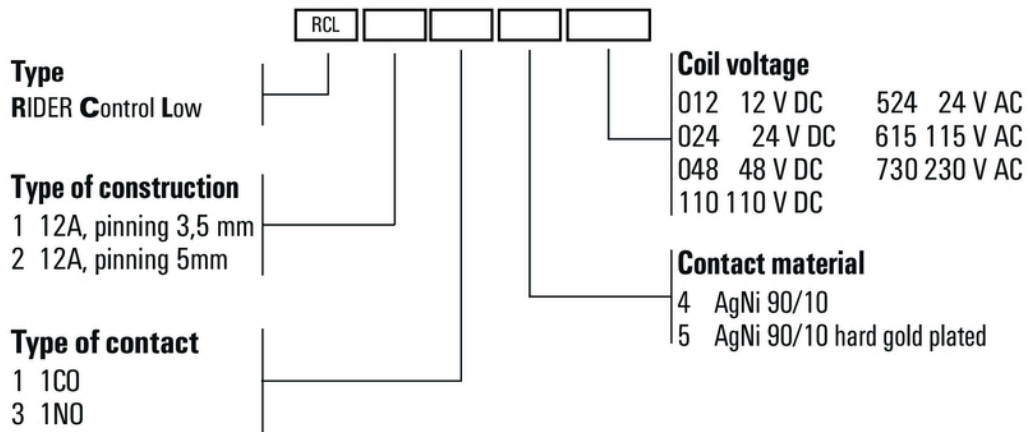
RCL114012

Weidmüller Interface GmbH & Co. KG
 Klingenbergstraße 26
 D-32758 Detmold
 Germany

www.weidmueller.com

Drawings

Miscellaneous



Type codes