



Main

Range of product	Modicon STB distributed I/O solution
Product or component type	Standard analog output kit
Kit composition	STBAV11270 module STBXBA1000 base STBXTS1100, 6-terminal screw type connector STBXTS2100, 6-terminal spring clamp connector
Analogue output type	Current 0...20 mA
Analogue output number	2
Analogue output resolution	12 bits

Complementary

Analogue output current	0.02 A
Response time	3 ms
Cold swapping	Yes
Hot swapping	Yes for standard NIMs
Fallback	User configurable standard NIMs State 0 basic NIMs
Data format	EN 61131-2 IEC 61131-2
Update time	25 ms
Conversion time	900 ms at +/- 0.1 % of final value
Protection type	Short-circuit protection
Integral linearity	+/- 0.1 %FS
Differential linearity	Monotonic
Absolute accuracy error	+/- 0.5 % of full scale per °C
Temperature drift	+/-0.01 %/°C
Insulation between channels and logic bus	1500 V for 1 minute
Insulation between channels and actuator bus	30 V
Addressing requirement	1 word for configuring fallback status 2 output words
Product compatibility	Mounting base STBXBA1000 Power distribution module STBPDT3100/3105
[Us] rated supply voltage	24 V DC
Supply	Power distribution module
Current consumption	40 mA 5 V DC logic bus
Marking	CE
Overvoltage category	II
Status LED	1 LED red module error (ERR) 1 LED green module status (RDY)
Depth	70 mm
Height	13.9 mm
Width	128.3 mm
Product weight	0.117 kg

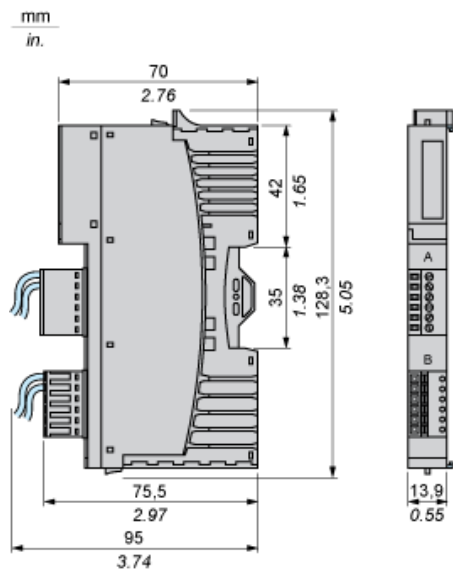
Environment

Product certifications	CSA FM Class 1 Division 2 UL
Pollution degree	2 IEC 60664-1
Operating altitude	<= 2000 m
IP degree of protection	IP20 EN 61131-2 class 1
Ambient air temperature for operation	0...60 °C without
Ambient air temperature for operation	32...140 °F without
Ambient air temperature for storage	-40...85 °C without
Ambient air temperature for storage	-40...185 °F without
Relative humidity	95 % 60 °C without condensation
Vibration resistance	5 gn 58...150 Hz 35 x 15 mm symmetrical DIN rail 3 gn 58...150 Hz 35 x 7.5 mm symmetrical DIN rail +/-0.35 mm 10...58 Hz
Shock resistance	30 gn 11 ms IEC 88 reference 2-27

Offer Sustainability

Sustainable offer status	Not Green Premium product
RoHS (date code: YYWW)	Compliant - since 0840 - Schneider Electric declaration of conformity
REACH	Reference not containing SVHC above the threshold
Product environmental profile	Available

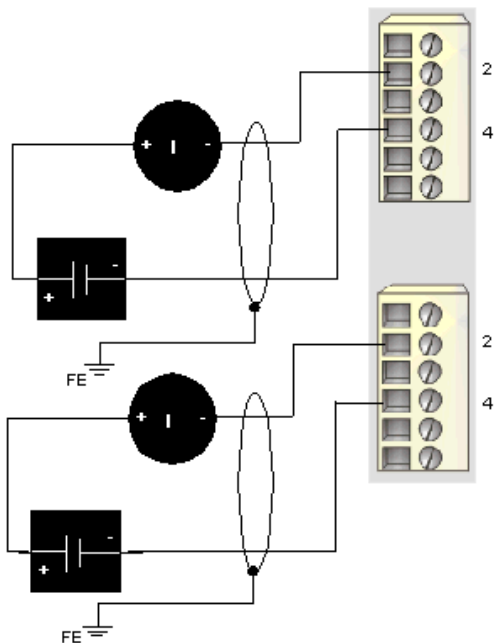
Dimensions



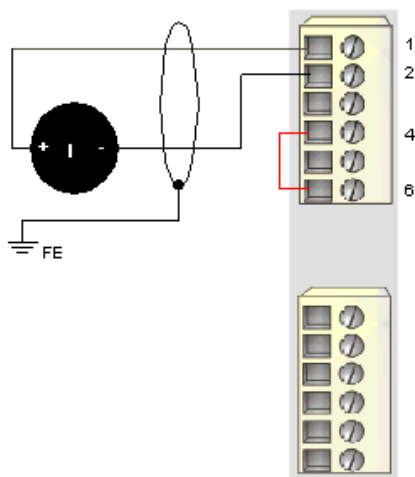
Wiring Diagrams

Examples

2 isolated analog actuators, external 24 VDC power supplies



2 non-isolated analog actuators, 24 VDC supplied by the PDM



Pin	Top Connections	Bottom Connections
1	+24 VDC from actuator bus for field device accessories	+24 VDC from actuator bus for field device accessories
2	output to actuator 1	output to actuator 2
3	no connection	no connection
4	analog output return	analog output return
5	no connection	no connection
6	field power return (to the module)	field power return (to the module)