



Main

Range of product	Modicon STB distributed I/O solution
Product or component type	Standard digital output kit
Kit composition	STBDDO3600 module STBXBA1000 base STBXTS1100, 6-terminal screw type connector STBXTS2100, 6-terminal spring clamp connector
Discrete output number	6
Discrete output type	Solid state
Discrete output voltage	24 V
Discrete output voltage type	DC

Complementary

Discrete output current	500 mA
Discrete output logic	Positive or negative
Permissible voltage	19.2...30 V DC
Absolute maximum voltage	56 V 1.3 ms
Response time	955 μ s on-to-off 715 μ s off-to-on
Cold swapping	Yes
Hot swapping	Yes for standard NIMs
Fallback	User configurable standard NIMs State 0 basic NIMs
Protection type	Power protection integrated fuse on PDM time lag 10 A Thermal overload protection Short-circuit protection Reverse polarity protection
Insulation between channels and logic bus	1500 V for 1 minute
Leakage current	\leq 0.4 mA at state 0 30 V
Surge current	\leq 5 A 0.5 ms
Load capacitance	\leq 50 μ F
Load inductance	\leq 500 mH 4 Hz
Minimum load	0.5 mA
Reset	Manual reset COM fault
Product compatibility	I/O base STBXBA1000 Power distribution module STBPDT3100/3105
[Us] rated supply voltage	24 V DC
Supply	Power distribution module
Current consumption	90 mA 5 V DC logic bus
Marking	CE
Overvoltage category	II
Status LED	1 LED red module error (ERR) 1 LED per channel green channel status (OUT1 to OUT6) 1 LED green module status (RDY)
Height	13.9 mm
Depth	70 mm
Width	128.3 mm
Product weight	0.114 kg

The information provided in this documentation contains general descriptions and/or technical characteristics of the performance of the products contained herein. This documentation is not intended as a substitute for and is not to be used for determining suitability or reliability of these products for specific user applications. It is the duty of any such user or integrator to perform the appropriate and complete risk analysis, evaluation and testing of the products with respect to the relevant specific application or use thereof. Neither Schneider Electric Industries SAS nor any of its affiliates or subsidiaries shall be responsible or liable for misuse of the information contained herein.

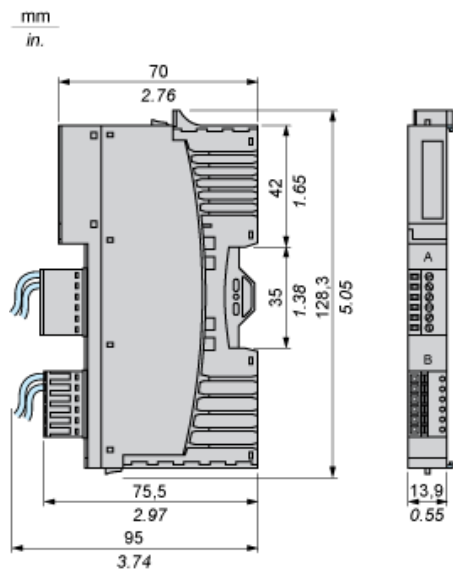
Environment

Standards	EN/IEC 61131-2
Product certifications	CSA FM Class 1 Division 2 UL
Pollution degree	2 IEC 60664-1
Operating altitude	<= 2000 m
IP degree of protection	IP20 EN 61131-2 class 1
Ambient air temperature for operation	0...60 °C without
Ambient air temperature for operation	32...140 °F without
Ambient air temperature for storage	-40...85 °C without
Ambient air temperature for storage	-40...185 °F without
Relative humidity	95 % 60 °C without condensation
Vibration resistance	5 gn 58...150 Hz 35 x 15 mm symmetrical DIN rail 3 gn 58...150 Hz 35 x 7.5 mm symmetrical DIN rail +/-0.35 mm 10...58 Hz
Shock resistance	30 gn 11 ms IEC 88 reference 2-27

Offer Sustainability

Sustainable offer status	Not Green Premium product
RoHS (date code: YYWW)	Compliant - since 0936 - Schneider Electric declaration of conformity
REACH	Reference not containing SVHC above the threshold
Product environmental profile	Available Download Product Environmental

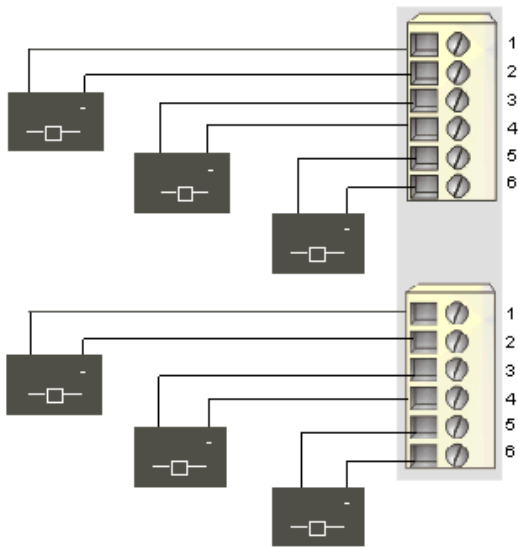
Dimensions



Wiring Diagram

Example

6 two-wire actuators



Pin	Top Connector	Bottom Connector
1	output to actuator 1	output to actuator 4
2	field power return	field power return
3	output to actuator 2	output to actuator 5
4	field power return	field power return
5	output to actuator 3	output to actuator 6
6	field power return	field power return