



Main

Range of product	Modicon STB distributed I/O solution
Product or component type	Counter kit
Number of channels	1

Complementary

Kit composition	STBEHC3020 module STBXBA3000 base STBXTS215018 terminal spring clamp connector
Counting input number	2
Counting frequency	0...40000 Hz
Counter functions	Count events Down counting Frequency meter Loop (modulo) counting Measure time periods Up/Down counting
Counter configuration	Modicon configuration software
Input compatibility	2/3 wire photo-electric sensor Incremental encoder Mechanical contact With 2-wire/3-wire proximity sensors
Input voltage	24 V
Input voltage limits	19.2...30 V
Input voltage type	DC
Input current	6 mA
Input logic	Positive
Voltage state 0 guaranteed	-3...5 V
Voltage state 1 guaranteed	11...30 V
Current state 0 guaranteed	<= 1.5 mA
Current state 1 guaranteed	>= 2 mA
Filter time	25 µs analog auxiliary input 2.5 µs analog counting inputs 1.2 ms digital 400 Hz counting inputs 0.4 ms digital 1000 Hz counting inputs 0 ms digital 40000 Hz counting inputs
Output voltage	24 V
Output voltage limits	19.2...30 V
Output voltage type	DC
Nominal output current	0.5 A
Discrete output logic	Positive or negative configurable
Leakage current	<= 0.1 mA at state 0
Voltage drop	<= 3 V at state 1
Load inductance	<= 500 mH 4 Hz

The information provided in this documentation contains general descriptions and/or technical characteristics of the performance of the products contained herein. This documentation is not intended as a substitute for and is not to be used for determining suitability or reliability of these products for specific user applications. It is the duty of any such user or integrator to perform the appropriate and complete risk analysis, evaluation and testing of the products with respect to the relevant specific application or use thereof. Neither Schneider Electric Industries SAS nor any of its affiliates or subsidiaries shall be responsible or liable for misuse of the information contained herein.

Protection type	Short-circuit protection electronic tripping manual or automatic reset Short-circuit protection current limiter Overload protection electronic tripping manual or automatic reset Overload protection current limiter
Fallback status	State 0 or 1 for each channel configured State 0 for output channels by default Hold last value configured
Cold swapping	Yes
Hot swapping fallback	Fallback to 0 not configured mandatory standard network interface module Fallback to 0 basic network interface module Fallback output depending on parameter setting configured mandatory standard network interface module
Product compatibility	Mounting base STBXBA3000 Power distribution module STBPDT3100/3105
[Us] rated supply voltage	24 V DC
Supply	Power distribution module
Current consumption	60...100 mA 5 V DC logic bus
Insulation between channels and bus	500 V
Marking	CE
Overvoltage category	II
Status LED	1 LED red module error (FLT) 1 LED per output green output status (OUT1, OUT2) 1 LED per counting input green counting input status (INA, INB) 1 LED green reset input status (RST) 1 LED green module status (RDY) 1 LED green EN validation input status (EN)
Height	28.1 mm
Depth	70 mm
Width	128.3 mm

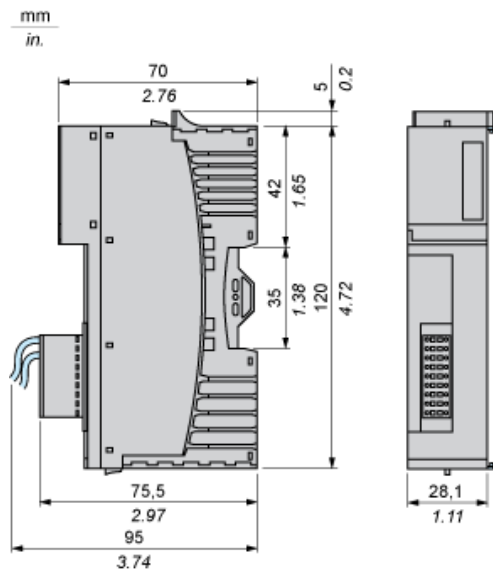
Environment

Product certifications	CSA FM Class 1 Division 2 UL
Pollution degree	2 IEC 60664-1
Operating altitude	<= 2000 m
IP degree of protection	IP20 EN 61131-2 class 1
Ambient air temperature for operation	-25...70 °C without derating
Ambient air temperature for storage	-40...85 °C
Relative humidity	95 % 60 °C without condensation
Vibration resistance	5 gn 58...150 Hz 35 x 15 mm symmetrical DIN rail 3 gn 58...150 Hz 35 x 7.5 mm symmetrical DIN rail +/-0.35 mm 10...58 Hz
Shock resistance	30 gn 11 ms IEC 88 reference 2-27

Offer Sustainability

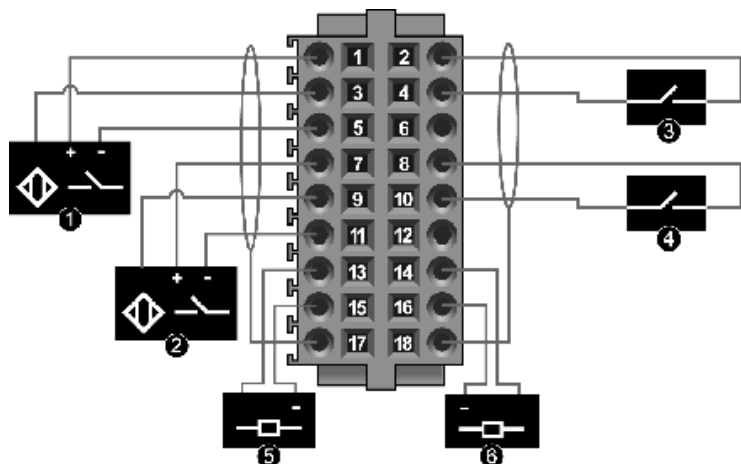
Sustainable offer status	Not Green Premium product
RoHS (date code: YYWW)	Compliant - since 0833 - Schneider Electric declaration of conformity
REACH	Reference not containing SVHC above the threshold
Product environmental profile	Available Download Product Environmental

Dimensions



Wiring Diagram

Connection to STBXTS2150KC Removable Spring-Type Terminals



- 1 IN A
- 2 IN B
- 3 EN
- 4 RST
- 5 OUT1
- 6 OUT2

Pin	Function	Pin	Function
1	+24 VDC field power (from the PDM) for input IN A	2	+24 VDC field power (from the PDM) for the input EN
3	input IN A	4	input EN
5	field power return for input IN A	6	field power return for input EN
7	+24 VDC field power (from the PDM) for input IN B	8	+24 VDC field power (from the PDM) for input RST
9	input IN B	10	input RST
11	field power return for input IN B	12	field power return for input RST
13	output OUT1	14	output OUT2
15	output OUT1 return	16	output OUT2 return
17	shield connection for input IN A and input IN B.	18	shield connection for input EN and input RST.