



## Environment

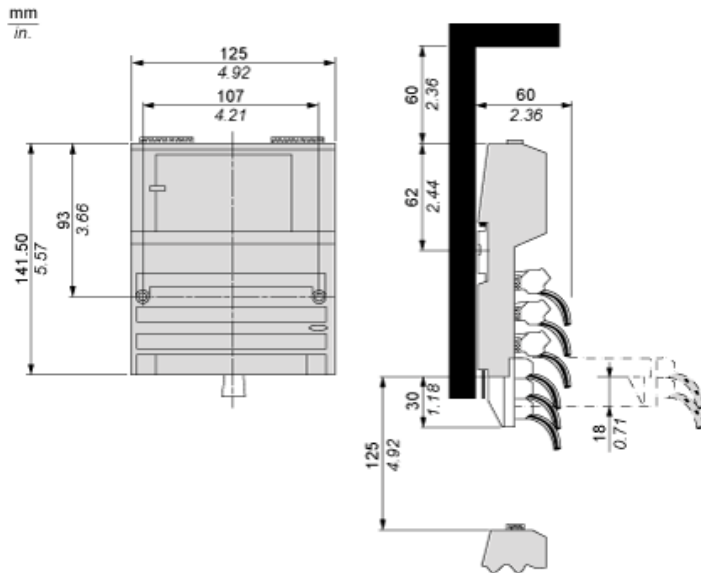
Product certifications	CSA FM Class 1 Division 2 UL
Resistance to electrostatic discharge	8 kV on air IEC 801-2 4 kV contact IEC 801-2
Resistance to electromagnetic fields	10 V/m 80...1000 MHz IEC 801-3
Ambient air temperature for operation	0...60 °C
Ambient air temperature for storage	-40...85 °C
Relative humidity	95 % without condensation
Operating altitude	<= 5000 m

## Offer Sustainability

Sustainable offer status	Not Green Premium product
RoHS (date code: YYWW)	Will be Compliant on 4Q2013

Standard Adapter on a Typical Base

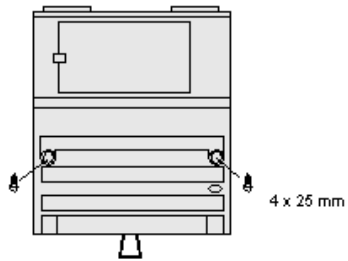
Dimensions



---

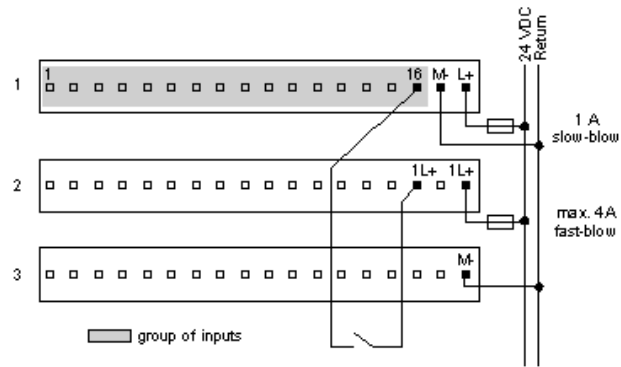
Mounting on a Wall

---

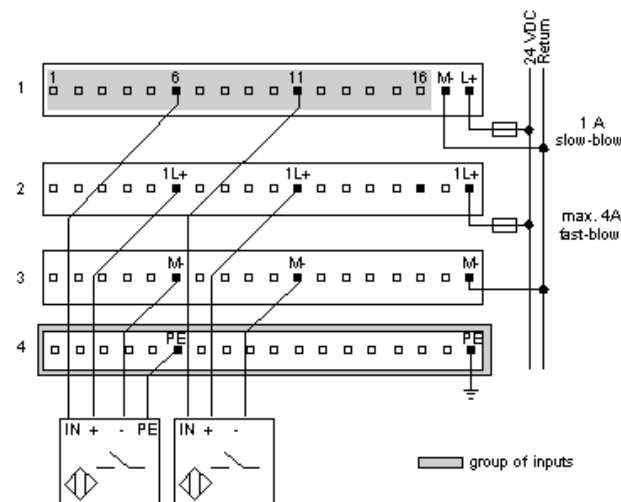


External Wiring Diagrams

2-Wire Device



3- and 4-Wire Devices



Internal Pin Connections

Rows 1 through 3 show the internal connections between terminals on the I/O base. Row 4 shows the internal connections on the optional busbar.

