



## Main

Range of product	Modicon Momentum automation platform
Product or component type	Analogue, Discrete I/O base
Group of channels	1 group of 4 analog outputs 1 group of 6 analog inputs 1 group of 8 discrete outputs 2 groups of 4 discrete inputs
Analogue input range	0...10 V
Analogue input type	Single ended
Analogue input resolution	14 bits 0...10 V
Discrete input voltage	24 V DC
Analogue output range	0...10 V 14 bits
Discrete output voltage	10...30 V
Output short-circuit protection	With discrete output
Output overload protection	With discrete output

## Complementary

Discrete input number	8 IEC 1131-2 Type 2
[Us] rated supply voltage	24 V 19.2...30 V DC
Analogue input voltage	<= 15 V
Input voltage limits	3...32 V
Discrete input logic	Positive
Voltage state 0 guaranteed	<= 5 V discrete input
Voltage state 1 guaranteed	>= 11 V discrete input
Current state 0 guaranteed	<= 2 mA discrete input
Current state 1 guaranteed	>= 6 mA discrete input
Maximum overvoltage on input	45 V 10 s discrete input
Input resistance	> 1 MOhm analogue input circuit
Output load	>= 2 kOhm 0...10 V analogue output
Conversion time	1.2 ms analogue output <= 0.75 ms analogue input circuit
Conversion error	0,002 0...10 V 25 °C analogue input circuit +/- 0.4 % 0...10 V 25 °C analogue output
Fail state	Reset to zero analogue output Hold analogue output
Discrete output type	Transistor
Discrete output logic	Positive
Discrete output current	0.25 A per point 2 A per module 2 A per group
Leakage current	< 0.4 mA DC 30 V discrete output
Voltage drop	< 0.4 V 0.25 A at state on discrete output
Surge current	2.5 A 1 ms discrete output
Response time	1.2 ms from state 1 to state 0 discrete input 1.2 ms from state 0 to state 1 discrete output 1.2 ms from state 0 to state 1 discrete input 1.05 ms from state 1 to state 0 discrete output
Isolation voltage	500 V 1 min between operating voltage and I/O from ground 500 V 1 min between analogue I/O and operating voltage

The information provided in this documentation contains general descriptions and/or technical characteristics of the performance of the products contained herein. This documentation is not intended as a substitute for and is not to be used for determining suitability or reliability of these products for specific user applications. It is the duty of any such user or integrator to perform the appropriate and complete risk analysis, evaluation and testing of the products with respect to the relevant specific application or use thereof. Neither Schneider Electric Industries SAS nor any of its affiliates or subsidiaries shall be responsible or liable for misuse of the information contained herein.

Power dissipation in W	<= 6 W
Marking	CE
Local signalling	4 LEDs channel status
Electrical connection	2 connectors for removable terminal blocks
Current consumption	400 mA 24 V DC
Depth	47.5 mm
Height	125 mm
Width	141.5 mm
Product weight	0.24 kg

## Environment

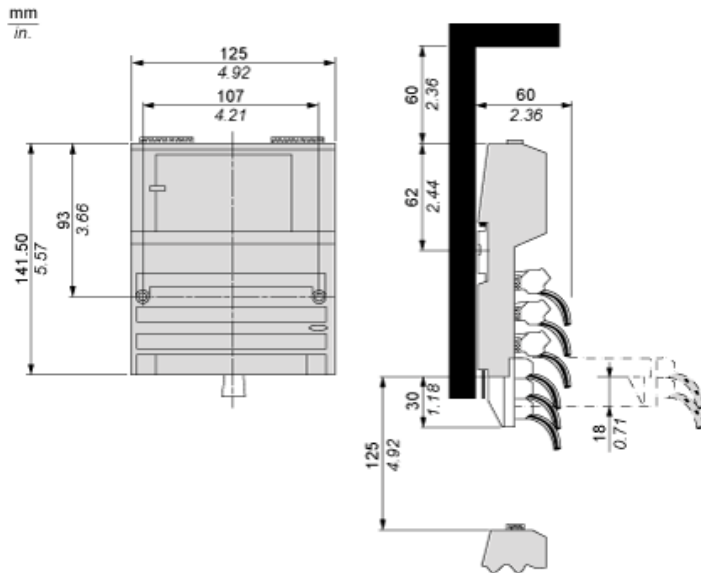
Product certifications	CSA UL
Protective treatment	TC
Resistance to electrostatic discharge	8 kV on air IEC 801-2 4 kV contact IEC 801-2
Resistance to electromagnetic fields	10 V/m 80...1000 MHz IEC 801-3
Ambient air temperature for operation	0...60 °C
Ambient air temperature for storage	-40...85 °C
Relative humidity	95 % without condensation
Operating altitude	<= 5000 m

## Offer Sustainability

Sustainable offer status	Not Green Premium product
RoHS (date code: YYWW)	Will be Compliant on 4Q2013

Standard Adapter on a Typical Base

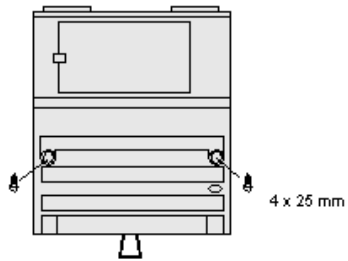
Dimensions



---

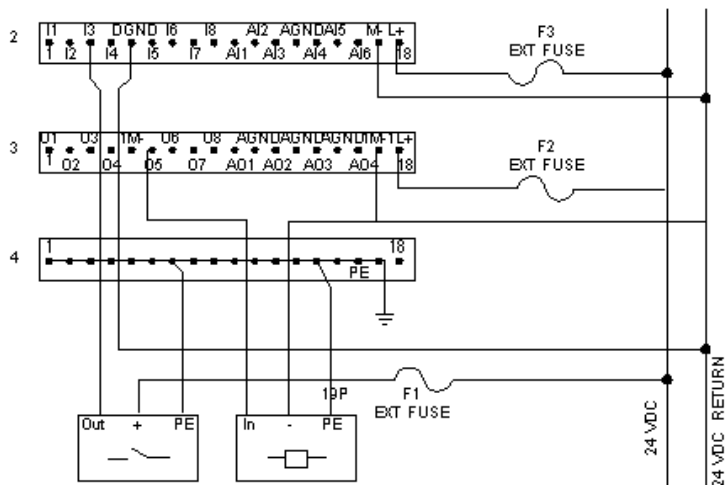
Mounting on a Wall

---



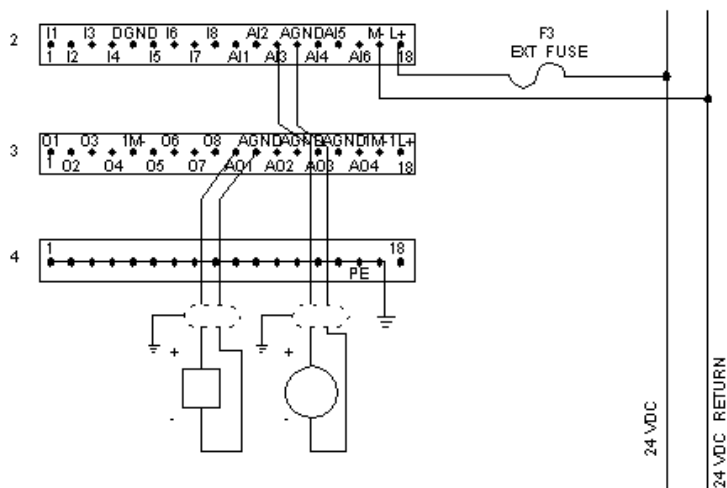
External Wiring Diagrams

Discrete I/O Devices



- F1, 1 A fuse
- F3
- F2 2.5 A fuse

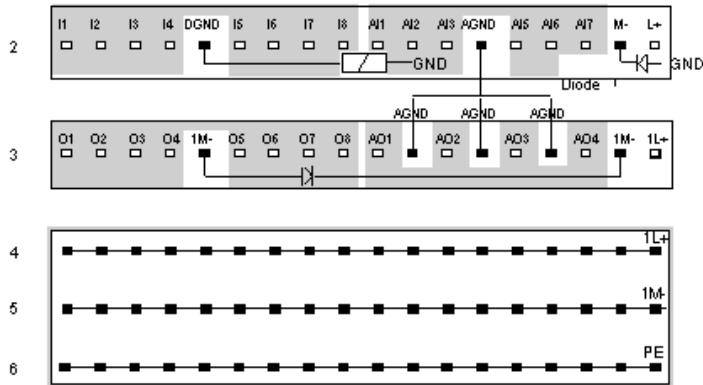
Analog I/O Devices



- F3 1 A fuse

Internal Pin Connections

Rows 2 and 3 show the internal connections between terminals on the I/O base. Rows 4 through 6 show the internal connections on the optional busbar.



NOTE: AGND and DGND are separated inside the module. External digital inputs must be returned to the DGND terminal. External analog circuits must be returned to AGND terminals.