

**RCM580615****Weidmüller Interface GmbH & Co. KG**

Klingenbergstraße 26

D-32758 Detmold

Germany

www.weidmueller.com

**Product image**

Similar to illustration

Individual relays within the RIDERSERIES RCM

- 4 CO contacts with hard gold plated contacts
- Optional AC or DC coils
- With test button

**General ordering data**

Version	RIDERSERIES RCM, Relay, Number of contacts: 4, CO contact AgNi gold-plated, Rated control voltage: 115 V AC, Continuous current: 6 A, Plug-in connection
Order No.	<a href="#">8824860000</a>
Type	RCM580615
GTIN (EAN)	4032248526352
Qty.	10 pc(s).

Creation date March 29, 2021 11:22:45 PM CEST

Catalogue status 12.03.2021 / We reserve the right to make technical changes.

## RCM580615

Weidmüller Interface GmbH &amp; Co. KG

Klingenbergstraße 26

D-32758 Detmold

Germany

www.weidmueller.com

## Technical data

## Dimensions and weights

Depth	29 mm	Depth (inches)	1.142 inch
Height	28 mm	Height (inches)	1.102 inch
Net weight	29.7 g	Width	22.5 mm
Width (inches)	0.886 inch		

## Temperatures

Storage temperature	-40 °C...85 °C	Operating temperature	-40 °C...70 °C
Humidity	40 °C / 93 % rel. humidity, no condensation		

## Rated data UL

Certificate No. (cURus)	E224238
-------------------------	---------

## Control side

Coil resistance	4845 Ω ± 12 %	Power rating	1058 mVA
Pull-in/drop-out voltage, typ.	92 V / 34.5 V AC	Rated control voltage	115 V AC
Rated current AC	9.2 mA		

## Load side

AC switching capacity (resistive), max.	1500 VA	Continuous current	6 A
DC switching capacity (resistive), max.	144 W @ 24 V	Inrush current	12 A / 20 ms
Max. switching frequency at rated load	0.1 Hz	Min. switching power	1 mA @ 1 V
Rated switching voltage	250 V AC	Switch-off delay	≤ 10 ms
Switch-on delay	≤ 15 ms		

## Contact data

Contact type	Mechanical service life	
4 CO contact (AgNi gold-plated)	AC coil 20 x 10 <sup>6</sup> switching cycles, DC coil 30 x 10 <sup>6</sup> switching cycles	

## General data

Test button	yes (lockable)	Mechanical switch position indicator	Yes
Colour	Transparent	UL 94 flammability rating	V-2

## Insulation coordination

Creepage and clearance distance input – output	≥ 4 mm	Dielectric strength of neighbouring contacts	2 kV <sub>eff</sub> / 1 min
Dielectric strength of open contact	1.2 kV <sub>eff</sub> / 1 min.	Dielectric strength, Input/Output	2.5 kV <sub>eff</sub> / 1 Min.
Impulse withstand voltage	5 kV (1.2/50 μs)	Insulating material group	IIIa
Pollution severity	2	Protection degree	IP20
Rated voltage	250 V	Surge voltage category	III

## Further details of approvals / standards

Standards	IEC 61810-1, UL508	Certificate No. (CSA)	249409-2426937
Certificate No. (VDE)	40011762	Certificate No. (cURus)	E224238

## RCM580615

**Weidmüller Interface GmbH & Co. KG**  
 Klingenbergstraße 26  
 D-32758 Detmold  
 Germany

www.weidmueller.com

## Technical data

## Connection data

Wire connection method Plug-in connection

## Classifications

ETIM 6.0	EC001437	ETIM 7.0	EC001437
ECLASS 9.0	27-37-16-01	ECLASS 9.1	27-37-16-01
ECLASS 10.0	27-37-16-01	ECLASS 11.0	27-37-16-01

## Approvals

Approvals



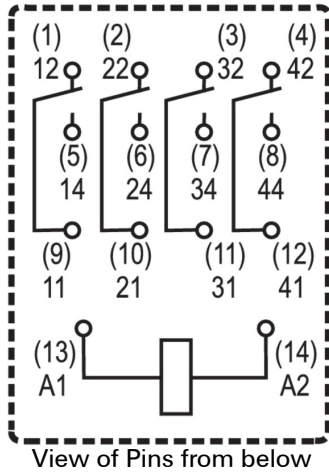
ROHS Conform  
 UL File Number Search E224238

## Downloads

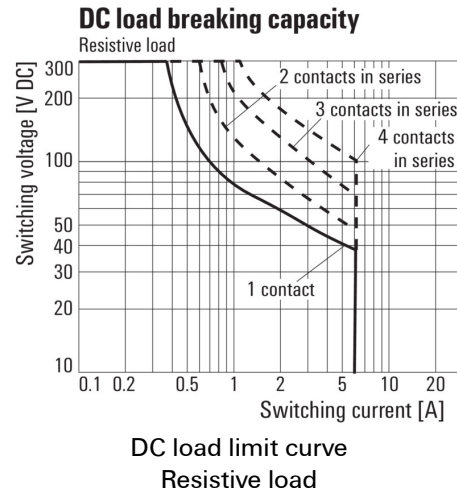
Approval/Certificate/Document of Conformity [EU Konformitätserklärung / EU Declaration of Conformity](#)  
 Engineering Data [STEP](#)  
 Engineering Data [EPLAN, WSCAD](#)

**Drawings**

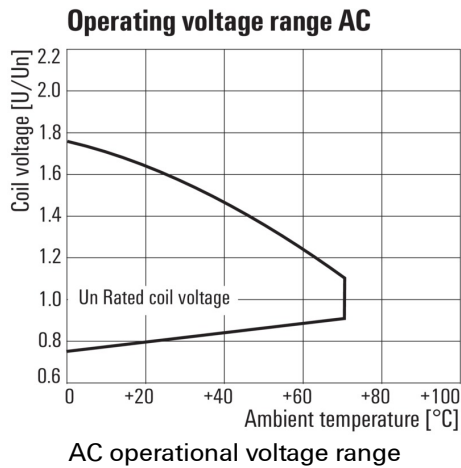
**Wiring diagram**



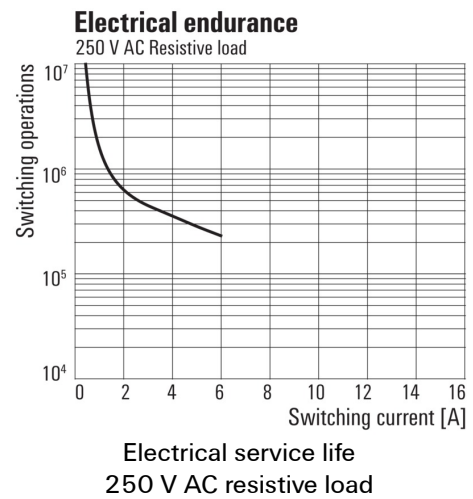
**Graph**



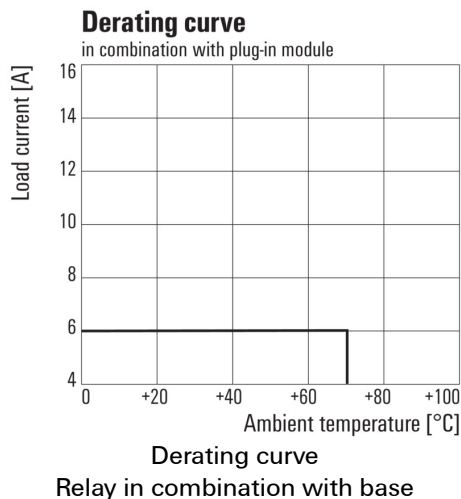
**Graph**



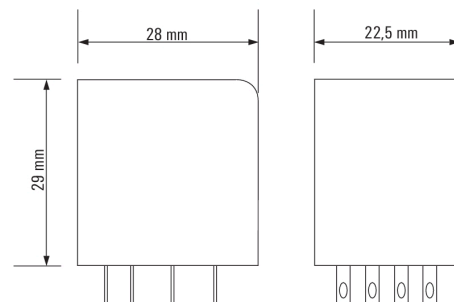
**Graph**



**Graph**



**Dimensional drawing**



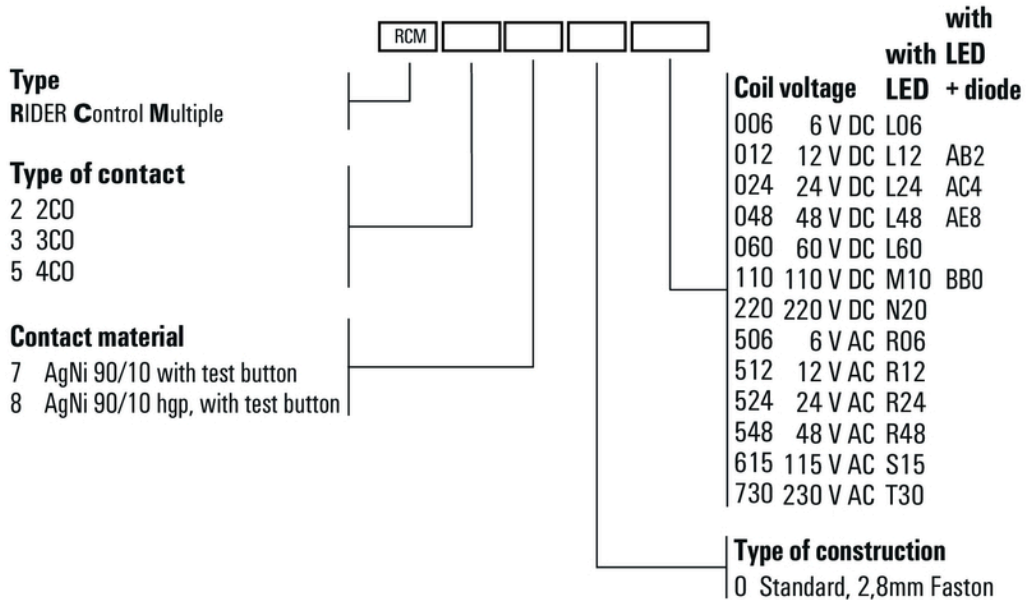
**RCM580615**

**Weidmüller Interface GmbH & Co. KG**  
 Klingenbergstraße 26  
 D-32758 Detmold  
 Germany

www.weidmueller.com

**Drawings**

**Miscellaneous**



Type codes