

KLIPPON CS POK 121209-2

Weidmüller Interface GmbH & Co. KG

Klingenbergstraße 26

D-32758 Detmold

Germany

www.weidmueller.com



On-site control with Ex-certified Klippon® Control Station:
small command and signalling devices.

Approved operating and display elements in stainless
steel, aluminium or polyester enclosures.

You want to control and safeguard your work processes
in hazardous areas. For on-site control - approved

Klippon® enclosure solutions with control and display
elements.

General ordering data

Version	Klippon Control Station (control and signalling device), Control / signalling device, KLIPPON POK 121209 EX, Glass-fibre reinforced polyester with graphite mixture, Pushbutton - green, 1 NC contact, 1 NO contacts, -55 °C...+55 °C, IP54, IP66
Order No.	1537080000
Type	KLIPPON CS POK 121209-2
GTIN (EAN)	4050118341041
Qty.	1 pc(s).
Cable gland	2721990000
Reference product	1306050000

Creation date March 24, 2021 5:22:34 AM CET

KLIPPON CS POK 121209-2

Weidmüller Interface GmbH & Co. KG

Klingenbergstraße 26

D-32758 Detmold

Germany

www.weidmueller.com

Technical data

Dimensions and weights

Depth	90 mm	Depth (inches)	3.543 inch
Depth with add-on components	103 mm	Height	122 mm
Height (inches)	4.803 inch	Height of lowest version	90 mm
Mounting dimension - height	82 mm	Mounting dimension - width	106 mm
Net weight	995 g	Width	120 mm
Width (inches)	4.724 inch		

Temperatures

Ambient temperature	-55 °C...+55 °C
---------------------	-----------------

Certificate numbers enclosure

Certificate No. (ATEX)	TUEV14ATEX7606X	Certificate No. (EAC)	RUC-DE.BE02.B.00173
Certificate No. (IECEX)	IECEXITA14.0013X	Certificate No. (MARITREG)	15.40082.250
Certificate no. Terminal Box (ATEX)	TÜV 14 ATEX 7606 X	Certificate no. Terminal Box (IECEX)	IECEX ITA 14.0013X

General information

1 Position in enclosure	Pushbutton - green	Contact design	1 NC contact, 1 NO contacts
Operating voltage, max.	400 V	Operating current at 40°C ambient temperature, max.	1.5 mm ² - T6 10 A, 1.5 mm ² - T5 16 A, 2.5 mm ² - T6 16 A
Operating current at 55°C ambient temperature, max.	1.5 mm ² - T4 16 A, 1.5 mm ² - T5 10 A, 2.5 mm ² - T5 16 A	Actuators	Pushbutton
Actuator colour	green	Drill holes side B	1 x M25
UL 94 flammability rating	V-0	Lid attachment	Crosshead screws, stainless steel
Seal material of operating and display elements	EPDM	Enclosure seal material	Silicone (VMQ)
Torque for lid screws	2.5 Nm	External earth	Available on request
Marking	II 2 G Ex d e IIC T* Gb, II 2 D Ex tb IIIC T*°C Db	Cable gland clamping area, max.	17 mm
Cable gland clamping area, min.	12 mm	Wire connection cross section, finely stranded, max.	2.5 mm ²
Type of mounting	Wall mounting	Surface finish	untreated
Impact resistance	7 joules in acc. with IEC 60079-0	Temperature class	T4, T5, T6
Material	Glass-fibre reinforced polyester with graphite mixture		

Housing

Drill holes side B	Material	Glass-fibre reinforced polyester with graphite mixture
1 x M25		

Classifications

ETIM 6.0	EC002503	ETIM 7.0	EC002503
ECLASS 9.0	27-18-05-02	ECLASS 9.1	27-18-05-90
ECLASS 10.0	27-18-05-02	ECLASS 11.0	27-18-05-02

Creation date March 24, 2021 5:22:34 AM CET

KLIPPON CS POK 121209-2

Weidmüller Interface GmbH & Co. KG
Klingenbergstraße 26
D-32758 Detmold
Germany

www.weidmueller.com

Technical data**Approvals**

Approvals

**Downloads**

Approval/Certificate/Document of
Conformity

[TUEV14ATEX7606X](#)
[15.40082.250](#)
[IECEXITA14.0013X](#)
[RUC-DE.TB08.B.01838](#)

Engineering Data

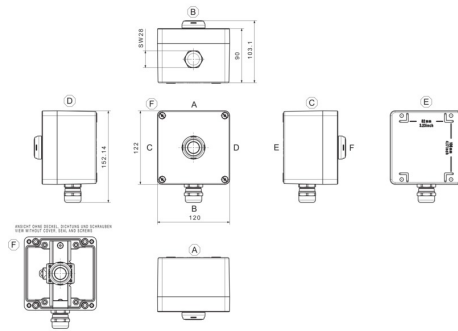
[EPLAN, WSCAD](#)

KLIPPON CS POK 121209-2

Weidmüller Interface GmbH & Co. KG
 Klingenbergstraße 26
 D-32758 Detmold
 Germany

www.weidmueller.com

Drawings



Klippon CS POK 121209-2 - 4 - LcBmarLaBmss

Actuating and illuminating elements
B: Button
I: Illuminated button
L: Lamp
e: NO
m: NC and NO
c: NC
g: Green
r: Red
e: Emergency Stop
p: Push
k: Key
3: Positions of the switch
Drilling design
Dimensions
Enclosure Range
POK (Polyester)
K (Aluminium)
STB (Stainless Steel)
Product Name
Control Station
Brand Name
Klippon®