

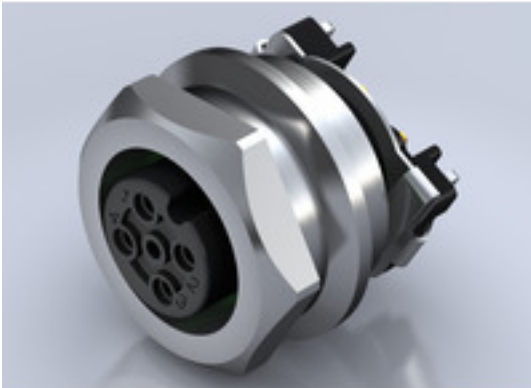
SAIE-M12BD-4S-9/14SMT**Weidmüller Interface GmbH & Co. KG**

Klingenbergstraße 26

D-32758 Detmold

Germany

www.weidmueller.com

Similar to illustration

Weidmüller is one of the industry's leading international providers of connectors. An important mainstay in this product family are the circular connectors, which Weidmüller groups under the product name SAI. In the development of SAI products, Weidmüller engineers have always concentrated on achieving rational, cost-effective installation concepts, and – in cooperation with major users – have supplied the markets with well-conceived products which set standards in terms of functionality and quality across the globe. The best examples are the new power distributors with S and T coded M12. These modules are characterised by particularly high currents and voltages. This enables them to also be used, for example, with three-phase motors.

General ordering data

Version	Built-in plugs, M12, Number of poles: 4
Order No.	2423860000
Type	SAIE-M12BD-4S-9/14SMT
GTIN (EAN)	4050118432114
Qty.	25 pc(s).

Creation date March 26, 2021 10:57:32 PM CET

Catalogue status 12.03.2021 / We reserve the right to make technical changes.

SAIE-M12BD-4S-9/14SMT
Weidmüller Interface GmbH & Co. KG

Klingenbergstraße 26

D-32758 Detmold

Germany

www.weidmueller.com

Technical data
Dimensions and weights

Net weight	10.24 g
------------	---------

Environmental Product Compliance

REACH SVHC	Lead 7439-92-1
------------	----------------

Technical data of PCB plug-in connector

Coding	D		
Housing surface	nickel-plated		
Housings	M12 socket		
Mounting height	9 mm		
Mounting thread	M14		
Number of poles	4		
Shield connection	Yes		
Rated voltage	250 V		
Rated voltage (text)	250 V (4-pole) / 60 V (5-pole)		
Rated current	4 A		
Rated current	4 A		
Temperature range	-30...80 °C		
Protection degree	IP67		
Contact surface	Au (Gold)		
Housing main material	CuZn, nickel-plated		
Connection thread	M12		
Tightening torque	M12: 0.8 Nm		
Mounting thread	M 14		
Mounting torque	max.	1.2 Nm	
Mounting torque range	1.2 Nm		
Mounting onto the PCB	SMD solder connection		
Insulation strength	100 MΩ		
Pollution severity	3 (2 within the sealed area)		
Plugging cycles	≥ 100		
Contact material	CuZn		
Lock nut material	Nickel-plated CuZn		
Material of the flange-mounted housing	Nickel-plated CuZn		

General Info

Housing main material	CuZn, nickel-plated	Connection thread	M12
Contact material	CuZn	Contact surface	Au (Gold)
Protection degree	IP67	Plugging cycles	≥ 100

Material data

Contact material	CuZn	Contact surface	Au (Gold)
------------------	------	-----------------	-----------

System parameters

Mounting onto the PCB	SMD solder connection	Insulation strength	100 MΩ
Number of poles	4	Pin series quantity	1
Plugging cycles	≥ 100	Protection degree	IP67

Creation date March 26, 2021 10:57:32 PM CET

Catalogue status 12.03.2021 / We reserve the right to make technical changes.

2

SAIE-M12BD-4S-9/14SMT

Weidmüller Interface GmbH & Co. KG
Klingenbergstraße 26
D-32758 Detmold
Germany

www.weidmueller.com

Technical data

Classifications

ETIM 6.0	EC002638	ETIM 7.0	EC003568
ECLASS 9.0	27-44-03-09	ECLASS 9.1	27-44-03-09
ECLASS 10.0	27-44-03-09	ECLASS 11.0	27-44-01-10

Approvals

ROHS	Conform
------	---------

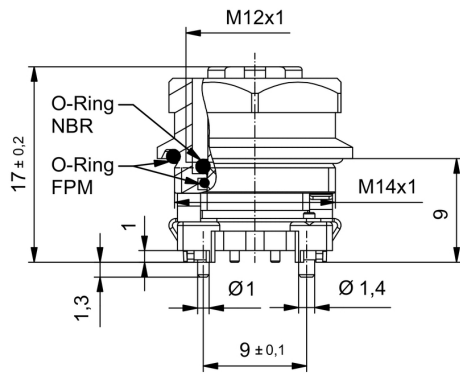
SAIE-M12BD-4S-9/14SMT

Weidmüller Interface GmbH & Co. KG
 Klingenbergstraße 26
 D-32758 Detmold
 Germany

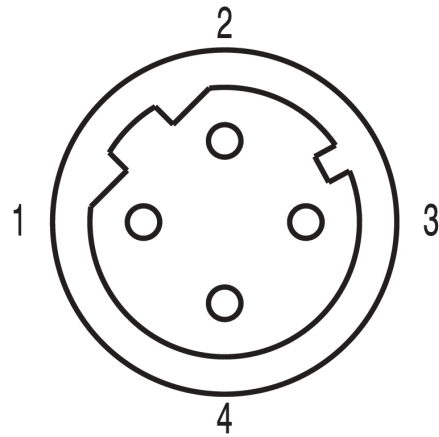
www.weidmueller.com

Drawings

Dimensioned drawing



Pole scheme



PCB design

