



Main

Range of product	Modicon M238 logic controller
Product or component type	Analog input module
Analogue input number	2
Input level	High level
Analogue input type	Voltage 0...10 V non differential Current 4...20 mA non differential
Cross talk	<= 2 LSB



Complementary

Range compatibility	Advantys OTB Twido
Analogue input resolution	12 bits
LSB value	4.8 μ A current current 2.5 mV voltage voltage
Permissible continuous overload	40 mA current 13 V voltage
Input impedance	\geq 1 MOhm voltage 10 Ohm current
Sampling duration	\leq 10 ms
Acquisition period	10 ms per channel + 1 controller cycle time
Measurement error	\pm 0.2 % of full scale 25 °C
Temperature coefficient	\pm 0.006 %FS/°C
Repeat accuracy	\pm 0.5 %FS
Non-linearity	\pm 0.2 %FS
Total error	\pm 1 %FS
Type of cable	Shielded cable
Insulation between channel and internal logic	Photocoupler
Supply	External supply
[Us] rated supply voltage	24 V DC
Supply voltage limits	20.4...28.8 V
Electrical connection	1 removable screw terminal block
Current consumption	50 mA 5 V DC internal 40 mA 24 V DC external
Product weight	0.085 kg

Environment

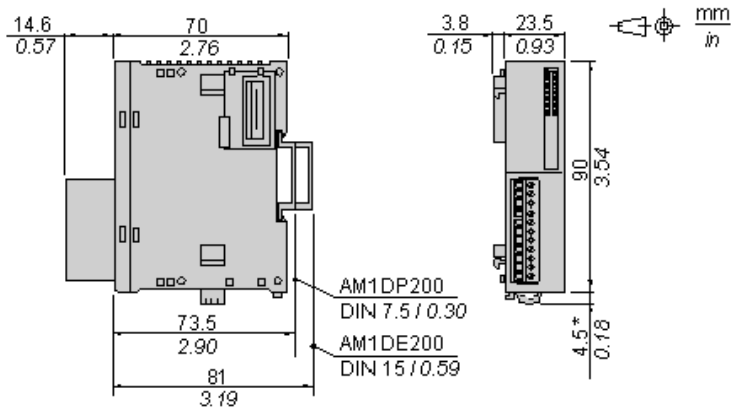
Dielectric strength	500 V between the I/O and the external supply circuit 500 V between the I/O and internal logic
Width	23.5 mm
Depth	70 mm
Height	90 mm

Offer Sustainability

Sustainable offer status	Green Premium product
Product environmental profile	Available  Download Product Environmental
Product end of life instructions	Available  Download End Of Life Manual

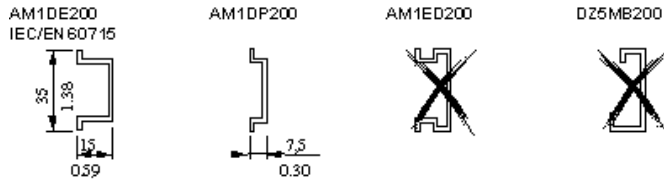
Analog Input Module (2-channel, Voltage/Current)

Dimensions



NOTE: * 8.5 mm (0.33 in) when the clip-on lock is pulled out.

DIN Rail Mounting

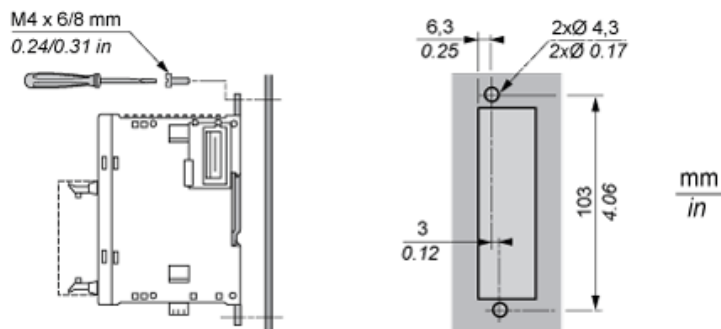


Rail depth	Catalogue part number
15 mm (0.59 in.)	AM1DE200
7,5 mm (0.30 in.)	AM1DP200

NOTE: Do not use AM1ED200 and DZ5MB200

Module Mounting on a Panel Surface

Mounting Hole Layout



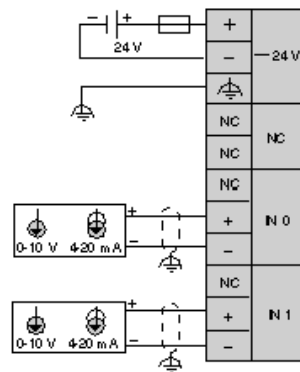
Wiring Requirements

Cable Types and Wire Sizes for Removable Screw Terminal Block

 9 0.35 mm in.							
	mm ²	0,14...1,5	0,25...0,5	0,25...1,5	0,14...0,5	0,14...0,75	0,25...0,34
AWG	26...16	24...20	24...16	26...20	26...18	24...22	20

Analog Input Module (2-channel, Voltage/Current)

Wiring Diagram



The (-) poles of inputs IN0 and IN1 are connected internally.