



Main

Range of product	Modicon TSX Micro automation platform
Product or component type	Discrete output module
Discrete output number	8 1 HE-10 connector
Discrete output voltage	24 V DC
Discrete output current	0.5 mA
Discrete output logic	Positive

Complementary

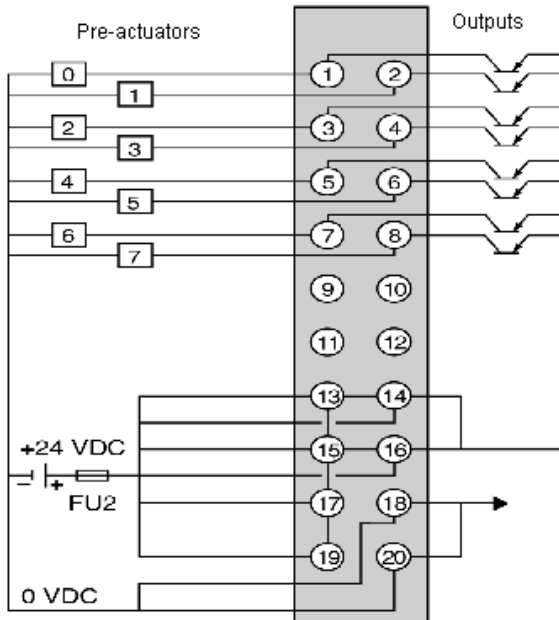
Output voltage limits	19...30 V
Output current limits	0.625 A
Leakage current	<= 0.5 mA at state 0
[Ures] residual voltage	<= 0.3 V
Load impedance ohmic	48 Ohm
Response time	< 0.5 ms at state 0 < 0.5 ms at state 1
Switching frequency	< 0.6/LI ² Hz
Output overvoltage protection	By zener diode
Output short-circuit protection	Current limiter Thermal circuit breaker
Reverse polarity protection	Reverse diode on power supply
Paralleling of outputs	Yes : 2 maximum
Current consumption	38 mA
Power dissipation in W	0.15 W by channel 3.5 W by module
Isolation voltage	1500 V 1 s
Product weight	0.18 kg

Offer Sustainability

Sustainable offer status	Not Green Premium product
RoHS (date code: YYWW)	Will not be Compliant

Pre-Actuators/Outputs Connections

Wiring Diagram



FU2 = 6.3A fuse with rapid fusion.