

**SAIEW-M12B-4S-HTL****Weidmüller Interface GmbH & Co. KG**

Klingenbergstraße 26

D-32758 Detmold

Germany

www.weidmueller.com

**Similar to illustration**

Weidmüller is one of the industry's leading international providers of connectors. An important mainstay in this product family are the circular connectors, which Weidmüller groups under the product name SAI. In the development of SAI products, Weidmüller engineers have always concentrated on achieving rational, cost-effective installation concepts, and – in cooperation with major users – have supplied the markets with well-conceived products which set standards in terms of functionality and quality across the globe. The best examples are the new power distributors with S and T coded M12. These modules are characterised by particularly high currents and voltages. This enables them to also be used, for example, with three-phase motors.

**General ordering data**

Version	Built-in plugs, M12, M 12, Number of poles: 4, Rear panel mounting
Order No.	<a href="#">2423450000</a>
Type	SAIEW-M12B-4S-HTL
GTIN (EAN)	4050118432121
Qty.	10 pc(s).

Creation date March 26, 2021 10:54:26 PM CET

Catalogue status 12.03.2021 / We reserve the right to make technical changes.

**SAIEW-M12B-4S-HTL****Weidmüller Interface GmbH & Co. KG**

Klingenbergstraße 26

D-32758 Detmold

Germany

www.weidmueller.com

**Technical data****Dimensions and weights**

Net weight 18.5 g

**Environmental Product Compliance**

REACH SVHC Lead 7439-92-1

**Technical data of PCB plug-in connector**

Coding	A
Housings	M12 socket
Mounting thread	M12
Number of poles	4
Shield connection	Yes
Type of mounting	Rear panel mounting
Rated voltage	250 V
Rated voltage (text)	250 V (4-pole) / 60 V (5-pole)
Rated current	4 A
Rated current	4 A
Temperature range	-30...80 °C
Protection degree	IP67
Contact surface	Au (Gold)
Housing main material	CuZn, nickel-plated
Connection thread	M12
Tightening torque	M12: 0.8 Nm
Mounting thread	M 12
Mounting torque	max. 1.2 Nm
Mounting torque range	1.2 Nm
Insulation strength	100 MΩ
Pollution severity	3 (2 within the sealed area)
Plugging cycles	≥ 100
Contact material	CuZn
Lock nut material	Nickel-plated CuZn
Material of the flange-mounted housing	Nickel-plated CuZn

**General Info**

Housing main material	CuZn, nickel-plated	Connection thread	M12
Contact material	CuZn	Contact surface	Au (Gold)
Type of mounting	Rear panel mounting	Protection degree	IP67
Plugging cycles	≥ 100		

**Material data**

Contact material	CuZn	Contact surface	Au (Gold)
------------------	------	-----------------	-----------

**System parameters**

Insulation strength	100 MΩ	Number of poles	4
Pin series quantity	1	Plugging cycles	≥ 100
Protection degree	IP67		

## SAIEW-M12B-4S-HTL

**Weidmüller Interface GmbH & Co. KG**  
Klingenbergstraße 26  
D-32758 Detmold  
Germany

www.weidmueller.com

# Technical data

### Classifications

ETIM 6.0	EC002638	ETIM 7.0	EC003568
ECLASS 9.0	27-44-03-09	ECLASS 9.1	27-44-03-09
ECLASS 10.0	27-44-03-09	ECLASS 11.0	27-44-01-10

### Approvals

ROHS	Conform
------	---------

### Downloads

Engineering Data	<a href="#">STEP</a>
------------------	----------------------

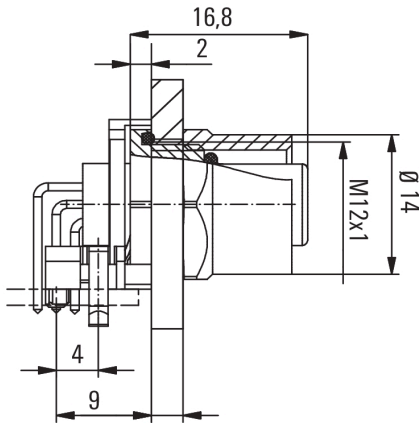
**SAIEW-M12B-4S-HTL**

**Weidmüller Interface GmbH & Co. KG**  
 Klingenbergstraße 26  
 D-32758 Detmold  
 Germany

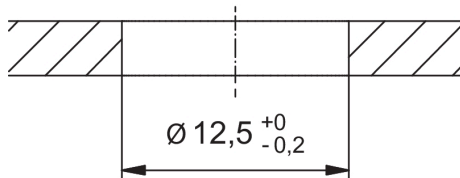
www.weidmueller.com

**Drawings**

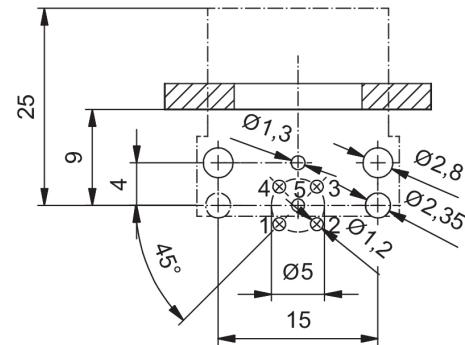
**Dimensioned drawing**



**Front panel section**



**PCB design**



**Pole scheme**

