

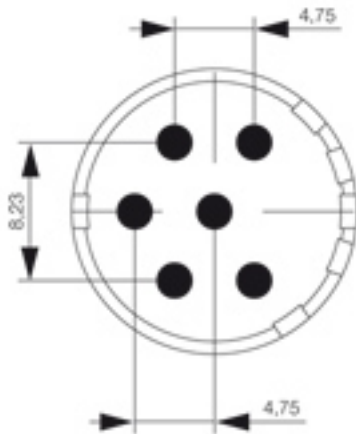
**SAI-M23-BE-6-17MM****Weidmüller Interface GmbH & Co. KG**

Klingenbergstraße 26

D-32758 Detmold

Germany

www.weidmueller.com



The M23 round plug-in connectors offer a high number of mating cycles, high current-carrying capacity and high contact-density coupled with minimum dimensions. Enclosures, inserts and crimp contacts need to be ordered separately.

**General ordering data**

Version	Sensor/Actuator plug-in connector
Order No.	<a href="#">1224040000</a>
Type	SAI-M23-BE-6-17MM
GTIN (EAN)	4050118008050
Qty.	1 pc(s).

Creation date March 23, 2021 9:27:47 AM CET

Catalogue status 12.03.2021 / We reserve the right to make technical changes.

## SAI-M23-BE-6-17MM

Weidmüller Interface GmbH &amp; Co. KG

Klingenbergstraße 26

D-32758 Detmold

Germany

www.weidmueller.com

## Technical data

## Dimensions and weights

Net weight	15 g
------------	------

## Environmental Product Compliance

REACH SVHC	Lead 7439-92-1
------------	----------------

## Technical data customisable plug-in connectors

Coding	none	Contact surface	Gold-plated
Housing main material	Thermoplastic polyamide PA 6, PBT	Insulation strength	$> 10^{10} \Omega$
Number of poles	6	Plugging cycles	$> 1000$
Rated current	20 A	Type of connection	Solder connection

## Classifications

ETIM 6.0	EC000438	ETIM 7.0	EC003557
ECLASS 9.1	27-44-02-05	ECLASS 10.0	27-44-02-23
ECLASS 11.0	27-44-02-23		

## Important note

Product information	Enclosures, inserts and crimp contacts need to be ordered separately.
---------------------	---

## Approvals

Approvals



ROHS	Conform
UL File Number Search	E344862

## Downloads

Engineering Data	<a href="#">STEP</a>
------------------	----------------------