



Main

Range of product	Modicon TM5
Product or component type	Discrete input module
Discrete input number	4
Discrete input voltage	100...240 V

Complementary

Range compatibility	Modicon LMC058 Modicon M258 PacDrive LMC motion controller
Product compatibility	Motion controller Logic controller PacDrive LMC Pro PacDrive LMC Eco PacDrive LMC Pro 2
Discrete input voltage type	AC
Input voltage limits	100...240 V
Discrete input current	5...11 mA
Colour	Black
Input filtering	0...25 ms configurable by software <= 40 ms hardware from state 0 to state 1 <= 30 ms hardware from state 1 to state 0
Isolation	No insulation between channels 2500 V AC insulation between channel and bus for 1 minute
Current consumption	34 mA 5 V DC bus
Power dissipation in W	<= 1.08 W
Local signalling	4 LEDs green for input status 1 LED red for power supply 1 LED green for power supply
Electrical connection	2 wires
Marking	CE
Product weight	0.025 kg

Environment

Standards	CSA C22.2 No 142 IEC 61131-2 UL 508 CSA C22.2 No 213
Product certifications	CSA C-Tick CULus GOST-R
Ambient air temperature for operation	-10...50 °C vertical installation -10...60 °C with derating factor horizontal installation -10...55 °C without derating factor horizontal installation
Ambient air temperature for storage	-40...70 °C
Relative humidity	5...95 % without condensation

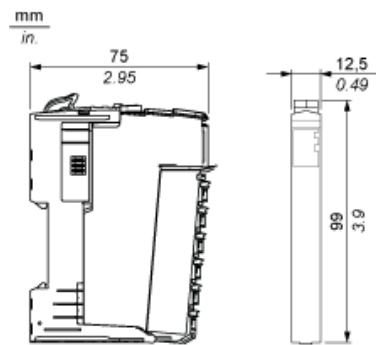
IP degree of protection	IP20 conforming to IEC 61131-2
Pollution degree	2 conforming to IEC 60664
Operating altitude	0...2000 m
Storage altitude	0...3000 m
Vibration resistance	3.5 mm (f = 5...8.4 Hz) DIN rail 1 gn (f = 8.4...150 Hz) DIN rail
Shock resistance	15 gn for 11 ms
Electromagnetic compatibility	Conducted and radiated emissions conforming to CISPR 11 Conducted RF disturbances conforming to EN/IEC 61000-4-6 1.2/50 µs shock waves immunity test (1 kV - common mode) conforming to EN/IEC 61000-4-5 1.2/50 µs shock waves immunity test (0.5 kV - differential mode) conforming to EN/IEC 61000-4-5 Electrical fast transient/burst immunity test (2 kV - power lines) conforming to EN/IEC 61000-4-4 Electrical fast transient/burst immunity test (1 kV - shielded cable) conforming to EN/IEC 61000-4-4 Electrical fast transient/burst immunity test (1 kV - I/O) conforming to EN/IEC 61000-4-4 Susceptibility to electromagnetic fields (10 V/m - 80...2000 MHz) conforming to EN/IEC 61000-4-3 Susceptibility to electromagnetic fields (1 V/m - 2...2.7 GHz) conforming to EN/IEC 61000-4-3 Electrostatic discharge immunity test (8 kV - in air) conforming to EN/IEC 61000-4-2 Electrostatic discharge immunity test (4 kV - on contact) conforming to EN/IEC 61000-4-2

Offer Sustainability

Sustainable offer status	Not Green Premium product
RoHS (date code: YYWW)	Compliant - since 1039 - Schneider Electric declaration of conformity
REACH	Reference not containing SVHC above the threshold
Product environmental profile	Available

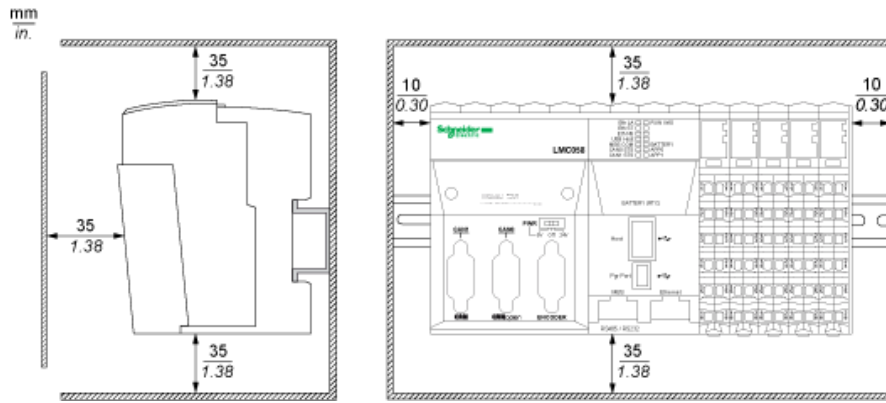
TM5 Slice

Dimensions

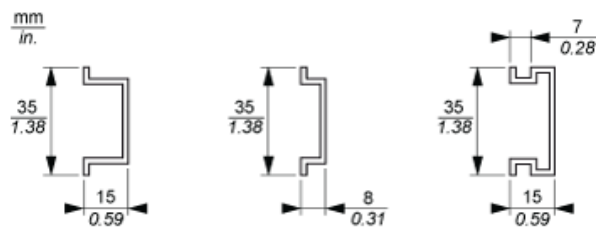


TM5 System

Spacing Requirements







Mounting on a DIN Rail



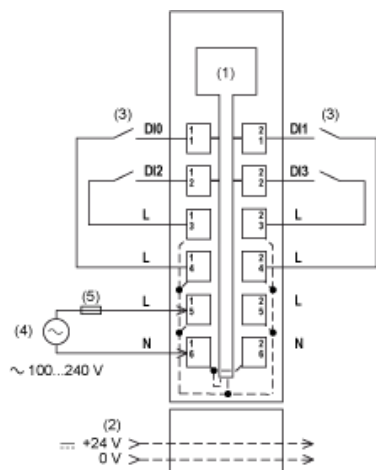
TM5 System Wiring Recommendations

Wire Sizes to Use with the Removable Spring Terminal Blocks

mm in.				
mm ²	0,08...2,5	0,25...2,5	0,25...1,5	2 x 0,25...2 x 0,75
AWG	28...14	24...14	24...16	2 x 24...2 x 18

Electronic Module 4DI 100...240 Vac 2 Wires

Wiring Diagram



- (1) Internal electronics
- (2) 24 Vdc I/O power segment integrated into the bus bases
- (3) 2-wire sensor
- (4) External power supply: 100...240 Vac
- (5) External fuse type T slow-blow 1 A - 250 V