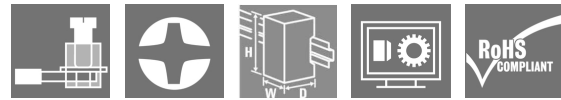


TRS 60VUC 1CO

Weidmüller Interface GmbH & Co. KG
 Klingenbergstraße 26
 D-32758 Detmold
 Germany

www.weidmueller.com

Product image



Similar to illustration

- 1 CO contact
- Contact material: AgNi
- Unique multi-voltage input from 24 to 230 V UC
- Input voltages from 5 V DC to 230 V UC with coloured marking: AC: red, DC: blue, UC: white

General ordering data

| | |
|------------|---|
| Version | TERMSERIES, Relay module, Number of contacts: 1, CO contact AgNi, Rated control voltage: 60 V UC $\pm 10\%$, Continuous current: 6 A, Screw connection |
| Order No. | 1122800000 |
| Type | TRS 60VUC 1CO |
| GTIN (EAN) | 4032248904983 |
| Qty. | 10 pc(s). |

Creation date March 23, 2021 12:54:21 AM CET

Catalogue status 12.03.2021 / We reserve the right to make technical changes.

TRS 60VUC 1CO

Weidmüller Interface GmbH & Co. KG

Klingenbergstraße 26

D-32758 Detmold

Germany

www.weidmueller.com

Technical data

Dimensions and weights

| | | | |
|----------------|------------|-----------------|------------|
| Depth | 87.8 mm | Depth (inches) | 3.457 inch |
| Height | 89.6 mm | Height (inches) | 3.528 inch |
| Net weight | 34 g | Width | 6.4 mm |
| Width (inches) | 0.252 inch | | |

Temperatures

| | | | |
|---------------------|--|-----------------------|----------------|
| Storage temperature | -40 °C...85 °C | Operating temperature | -40 °C...60 °C |
| Humidity | 5-95% relative humidity, T _u = 40°C, without condensation | | |

Environmental Product Compliance

| | |
|------------|----------------|
| REACH SVHC | Lead 7439-92-1 |
|------------|----------------|

Rated data UL

| | | | |
|------------------------------------|--|---|--------|
| Operating altitude | ≤ 2000 m, above sea level | Ambient temperature (operational), max. | 60 °C |
| Connection cross-section AWG, min. | AWG 26 | Connection cross-section AWG, max. | AWG 14 |
| Type of conductor | rigid copper conductor, flexible copper conductor | Tightening torque, max. | 0.4 Nm |
| Pollution severity level | 2 | | |

Control side

| | | | |
|---------------------------------------|--|---|----------------------------------|
| Coil voltage of the replacement relay | 60 V DC | Coil voltage of the replacement relay deviating from the rated control voltage | Yes |
| Power rating | 170 mW, 290 mVA | Protective circuit | Rectifier |
| Pull-in/drop-out current, typ. | 2.8 mA / 0.6 mA AC 1.8 mA / 0.3 mA DC | Pull-in/drop-out voltage, typ. | 33 V / 8 V AC 41.5 V / 9 V DC |
| Rated control voltage | 60 V UC ± 10 % | Rated current AC | 4.8 mA |
| Rated current DC | 2.8 mA | Status indicator | Green LED |

Load side

| | | | |
|---|--|----------------------------|--------------|
| AC switching capacity (resistive), max. | 1500 VA | Continuous current | 6 A |
| DC switching capacity (resistive), max. | 144 W @ 24 V | Inrush current | 20 A / 20 ms |
| Max. switching frequency at rated load | 0.1 Hz | Max. switching voltage, DC | 250 V |
| Min. switching power | 1 mA @ 24 V, 10 mA @ 12 V, 100 mA @ 5 V | Rated switching voltage | 250 V AC |
| Switch-off delay | ≤ 43 ms | Switch-on delay | ≤ 7 ms |

Contact data

| | | | |
|--------------|---------------------|-------------------------|--------------------------------------|
| Contact type | 1 CO contact (AgNi) | Mechanical service life | 5 x 10 ⁶ switching cycles |
|--------------|---------------------|-------------------------|--------------------------------------|

General data

| | |
|--------------------------------------|-------|
| Rail | TS 35 |
| Test button | No |
| Mechanical switch position indicator | No |
| Colour | black |

Creation date March 23, 2021 12:54:22 AM CET

Catalogue status 12.03.2021 / We reserve the right to make technical changes.

2

TRS 60VUC 1C0

Weidmüller Interface GmbH & Co. KG

Klingenbergstraße 26

D-32758 Detmold

Germany

www.weidmueller.com

Technical data

| | | |
|------------------------------------|--------------------------|----------------|
| UL94 flammability rating component | Component | Housing |
| | UL94 flammability rating | V-0 |
| | Component | Retaining clip |
| | UL94 flammability rating | V-0 |

Insulation coordination

| | | | |
|--|------------------------------|-------------------------------------|------------------------------|
| Creepage and clearance distance input – output | ≥ 5.5 mm | Dielectric strength of open contact | 1 kV _{eff} / 1 min |
| Dielectric strength to mounting rail | 4 kV _{eff} / 1 Min. | Dielectric strength, Input/Output | 4 kV _{eff} / 1 Min. |
| Impulse withstand voltage | 6 kV (1.2/50 μs) | Pollution severity | 2 |
| Protection degree | IP20 | Rated voltage | 300 V |
| Surge voltage category | III | | |

Further details of approvals / standards

| | | | |
|-------------------------|--|-------------------------|------------|
| Standards | EN 50178, EN 55011, EN 61000-6-1, 2, 4 | Certificate No. (DNVGL) | TAA00001E5 |
| Certificate no. (cULus) | E141197 | | |

Connection data

| | | | |
|---|----------------------|---|---------------------|
| Wire connection method | Screw connection | Stripping length, rated connection | 8 mm |
| Tightening torque, max. | 0.4 Nm | Clamping range, rated connection | 1.5 mm ² |
| Clamping range, min. | 0.14 mm ² | Clamping range, max. | 2.5 mm ² |
| Wire connection cross section AWG, min. | AWG 26 | Wire connection cross section AWG, max. | AWG 14 |
| Wire cross-section, solid, min. | 0.14 mm ² | Wire cross-section, solid, max. | 2.5 mm ² |
| Wire cross-section, solid, min. (AWG) | AWG 26 | Wire cross-section, solid, max. (AWG) | AWG 14 |
| Wire connection cross section, finely stranded, min. | 0.14 mm ² | Wire connection cross section, finely stranded, max. | 2.5 mm ² |
| Wire cross-section, finely stranded, min. (AWG) | AWG 26 | Wire cross-section, finely stranded, max. (AWG) | AWG 14 |
| Wire connection cross-section, finely stranded with wire-end ferrules DIN 46228/4, min. | 0.25 mm ² | Wire connection cross-section, finely stranded with wire-end ferrules DIN 46228/4, max. | 2.5 mm ² |
| Conductor cross-section, flexible, AEH (DIN 46228-1), min. | 0.25 mm ² | Conductor cross-section, flexible, AEH (DIN 46228-1), max. | 2.5 mm ² |
| Wire connection cross section, finely stranded, two clampable wires, min. | 0.5 mm ² | Wire cross-section, finely stranded, two clampable wires, max. | 1 mm ² |
| Twin wire-end ferrules, min. | 0.5 mm ² | Twin wire-end ferrules, max. | 1 mm ² |
| Blade size | size PHO | Gauge to IEC 60947-1 | A1, B1 |

Classifications

| | | | |
|-------------|-------------|-------------|-------------|
| ETIM 6.0 | EC001437 | ETIM 7.0 | EC001437 |
| ECLASS 9.0 | 27-37-16-01 | ECLASS 9.1 | 27-37-16-01 |
| ECLASS 10.0 | 27-37-16-01 | ECLASS 11.0 | 27-37-16-01 |

Approvals

Approvals



| | |
|-----------------------|---------|
| ROHS | Conform |
| UL File Number Search | E141197 |

Creation date March 23, 2021 12:54:22 AM CET

Catalogue status 12.03.2021 / We reserve the right to make technical changes.

3

Data sheet**TRS 60VUC 1CO****Weidmüller Interface GmbH & Co. KG**

Klingenbergstraße 26

D-32758 Detmold

Germany

www.weidmueller.com**Technical data****Downloads**

| | |
|---|---|
| Approval/Certificate/Document of Conformity | EU Konformitätserklärung / EU Declaration of Conformity |
| Engineering Data | STEP |
| Engineering Data | EPLAN, WSCAD, Zuken E3.S |
| User Documentation | Beipackzettel / Package Insert - multilingual |

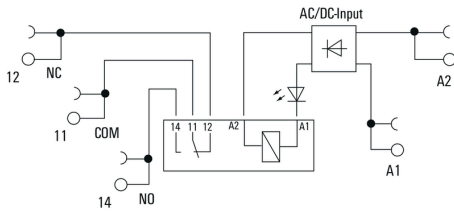
TRS 60VUC 1CO

Weidmüller Interface GmbH & Co. KG
 Klingenbergstraße 26
 D-32758 Detmold
 Germany

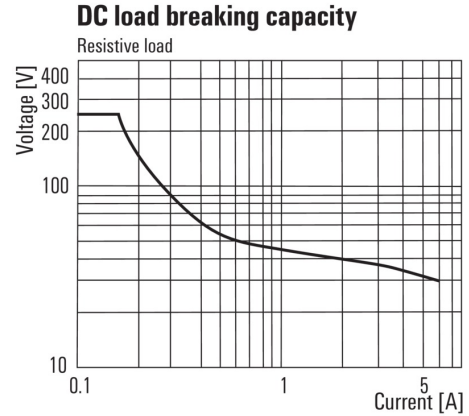
www.weidmueller.com

Drawings

Wiring diagram

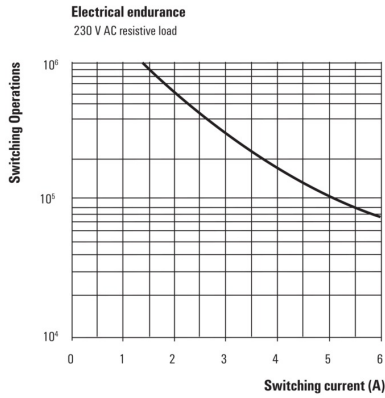


Graph



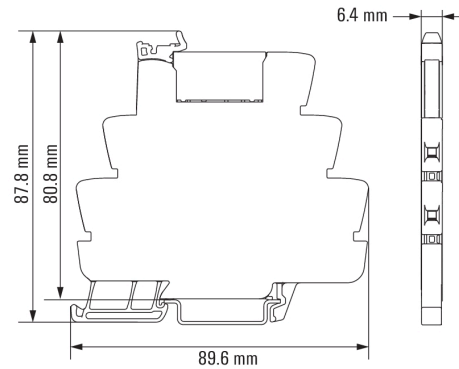
DC load limit curve

Graph



Electrical service life
230 V AC resistive load

Dimensional drawing



Miscellaneous

Type code TERMSERIES electromechanical relay versions



Type codes