

RCMKITZ 24VDC 4CO LED**Weidmüller Interface GmbH & Co. KG**

Klingenbergstraße 26

D-32758 Detmold

Germany

www.weidmueller.com

**General ordering data**

Version	RIDERSERIES RCM, Relay module, Number of contacts: 4, CO contact with test button AgNi 90/10, Rated control voltage: 24 V DC, Continuous current: 6 A, Tension-clamp connection
Order No.	8798740000
Type	RCMKITZ 24VDC 4CO LED
GTIN (EAN)	403224849436 1
Qty.	10 pc(s).
Relevant base	8783920000
Relevant relay	8690200000

Creation date March 29, 2021 11:18:37 PM CEST

RCMKITZ 24VDC 4CO LED

Weidmüller Interface GmbH & Co. KG

Klingenbergstraße 26

D-32758 Detmold

Germany

www.weidmueller.com

Technical data

Dimensions and weights

Depth	79 mm	Depth (inches)	3.11 inch
Height	101 mm	Height (inches)	3.976 inch
Net weight	122.2 g	Width	27 mm
Width (inches)	1.063 inch		

Temperatures

Storage temperature	-40 °C...70 °C	Operating temperature	-40 °C...70 °C
Humidity	40 °C / 93 % rel. humidity, no condensation		

Environmental Product Compliance

REACH SVHC	Lead 7439-92-1
------------	----------------

Control side

Coil resistance	777 $\Omega \pm 10\%$	Power rating	750 mW
Protective circuit	Free-wheeling diode	Pull-in/drop-out voltage, typ.	18 V / 2.4 V DC
Rated control voltage	24 V DC	Rated current DC	31.3 mA
Status indicator	Green LED		

Load side

AC switching capacity (resistive), max.	1500 VA	Continuous current	6 A
DC switching capacity (resistive), max.	144 W @ 24 V	Inrush current	12 A / 20 ms
Max. switching frequency at rated load	0.1 Hz	Max. switching voltage, AC	240 V
Min. switching power	1 mA @ 24 V, 10 mA @ 12 V, 100 mA @ 5 V	Rated switching voltage	250 V AC
Switch-off delay	≤ 10 ms	Switch-on delay	≤ 15 ms

Contact data

Contact type	4 CO contact with test button (AgNi 90/10)	Mechanical service life	AC coil 20×10^6 switching cycles, DC coil 30×10^6 switching cycles
--------------	--	-------------------------	--

General data

Rail	TS 35	Test button	yes (lockable)
Mechanical switch position indicator	Yes	Colour	black
UL 94 flammability rating	V-2		

Insulation coordination

Creepage and clearance distance input – output	≥ 4 mm	Dielectric strength of open contact	1.2 kV _{eff} / 1 min.
Dielectric strength, Input/Output	2.5 kV _{eff} / 1 Min.	Impulse withstand voltage	5 kV (1.2/50 μ s)
Pollution severity	2	Protection degree	IP20
Rated voltage	240 V	Surge voltage category	III

Further details of approvals / standards

Standards	DIN EN 50178	Certificate no. (CSA) relay	249409-2426937
Certificate no. (cURus) relay	E224238	Certificate no. (cURus) base	E223759

Creation date March 29, 2021 11:18:37 PM CEST

RCMKITZ 24VDC 4CO LED

Weidmüller Interface GmbH & Co. KG
 Klingenbergstraße 26
 D-32758 Detmold
 Germany

www.weidmueller.com

Technical data**Connection data**

Wire connection method	Tension-clamp connection	Clamping range, rated connection	1.5 mm ²
Clamping range, min.	0.5 mm ²	Clamping range, max.	1.5 mm ²
Blade size	0.4 x 2.5 mm		

Classifications

ETIM 6.0	EC001437	ETIM 7.0	EC001437
ECLASS 9.0	27-37-16-01	ECLASS 9.1	27-37-16-01
ECLASS 10.0	27-37-16-01	ECLASS 11.0	27-37-16-01

Approvals

Approvals



ROHS

Conform

Downloads

Approval/Certificate/Document of
 Conformity

[EU Konformitätserklärung / EU Declaration of Conformity](#)

Engineering Data

[EPLAN, WSCAD](#)

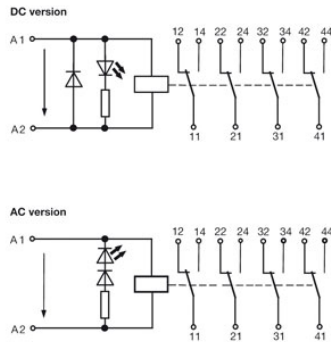
RCMKITZ 24VDC 4CO LED

Weidmüller Interface GmbH & Co. KG
 Klingenbergstraße 26
 D-32758 Detmold
 Germany

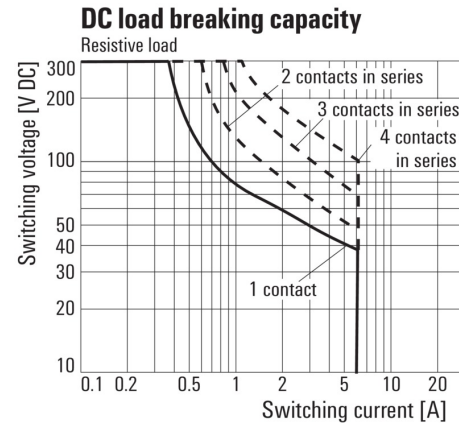
www.weidmueller.com

Drawings

Wiring diagram

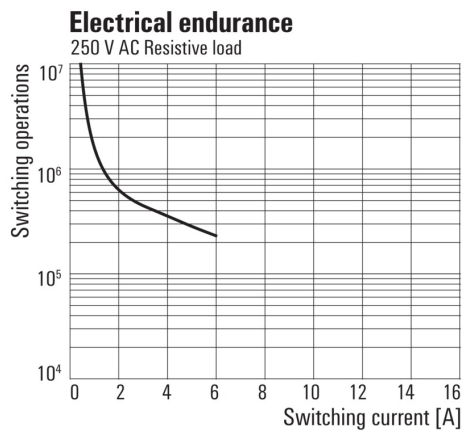


Graph



DC load limit curve
Resistive load

Graph



Electrical service life
250 V AC resistive load

RCMKITZ 24VDC 4CO LED

Weidmüller Interface GmbH & Co. KG
 Klingenbergstraße 26
 D-32758 Detmold
 Germany

www.weidmueller.com

Drawings

