

SAI-Y-5 AND 2M12

Weidmüller Interface GmbH & Co. KG
Klingenbergstraße 26
D-32758 Detmold
Germany

www.weidmueller.com

Similar to illustration**General ordering data**

Version	Y connector, M12
Order No.	1515 140000
Type	SAI-Y-5 AND 2M12
GTIN (EAN)	4050 11832236 1
Qty.	1 pc(s).

Creation date March 24, 2021 4:05:22 AM CET

Catalogue status 12.03.2021 / We reserve the right to make technical changes.

SAI-Y-5 AND 2M12

Weidmüller Interface GmbH & Co. KG
 Klingenbergstraße 26
 D-32758 Detmold
 Germany

www.weidmueller.com

Technical data

Dimensions and weights

Net weight 22 g

Environmental Product Compliance

REACH SVHC Lead 7439-92-1

Connection data

Group outlet - plug-in connector	M12 pin	Single outlet 1 - plug-in connector	M12 socket
Single outlet 2 - plug-in connector	M12 socket	Tightening torque	M12: 0.8 - 1.2 Nm

Technical data customisable plug-in connectors

Coding	A	Contact surface	Au (Gold)
Housing main material	PUR	Number of poles	5
Plugging cycles	≥ 100	Pollution severity	3
Protection degree	IP67	Rated current	4 A
Rated voltage	24 V	Shield connection	No
Temperature range of housing	-25...+85 °C		

General data

Coding	A	Conductor O.D.	-
Connection thread	M12	Contact material, pin	CuZn
Contact material, socket	CuSn	Contact surface	Au (Gold)
Housing main material	PUR	Number of poles	5
Plugging cycles	≥ 100	Pollution severity	3
Protection degree	IP67	Rated current	4 A
Rated voltage	24 V	Shield connection	No
Temperature range of housing	-25...+85 °C		

Classifications

ETIM 6.0	EC002925	ETIM 7.0	EC002925
ECLASS 9.0	27-44-01-06	ECLASS 9.1	27-44-01-06
ECLASS 10.0	27-44-01-06	ECLASS 11.0	27-44-01-06

Approvals

Approvals



ROHS Conform

Downloads

Engineering Data [STEP](#)

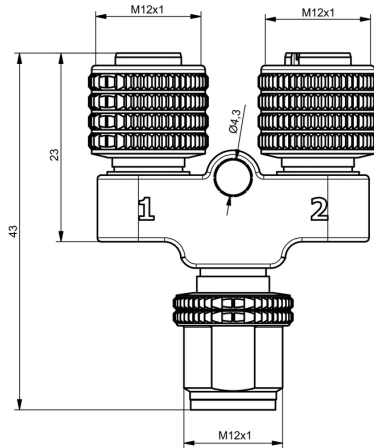
SAI-Y-5 AND 2M12

Weidmüller Interface GmbH & Co. KG
 Klingenbergstraße 26
 D-32758 Detmold
 Germany

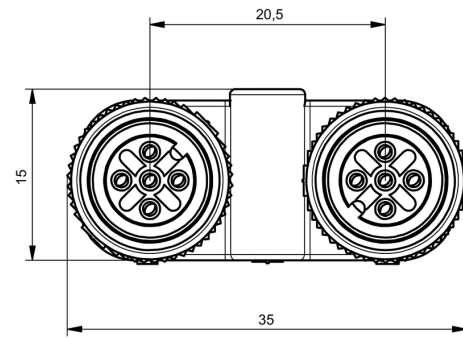
www.weidmueller.com

Drawings

Dimensioned drawing



Dimensioned drawing



Wiring

