

**IE-PCBR2-M12X-S-180****Weidmüller Interface GmbH & Co. KG**

Klingenbergstraße 26

D-32758 Detmold

Germany

www.weidmueller.com



M12 X type cat. 6A PCB socket, pre-assembled or 2-piece, reflow compatible

**General ordering data**

Version	PCB plug-in connector, M12, Solder connection, Cat.6 <sub>A</sub> / Class E <sub>A</sub> (ISO/IEC 11801 2010), IP67, when screwed in, Reflow compatible, Back panel mounting, 2-part
Order No.	<a href="#">1444650000</a>
Type	IE-PCBR2-M12X-S-180
GTIN (EAN)	4050118250060
Qty.	10 pc(s).

Creation date March 23, 2021 11:10:10 PM CET

Catalogue status 12.03.2021 / We reserve the right to make technical changes.

**IE-PCBR2-M12X-S-180****Weidmüller Interface GmbH & Co. KG**

Klingenbergstraße 26

D-32758 Detmold

Germany

www.weidmueller.com

**Technical data****Dimensions and weights**

Net weight	16 g	Wall thickness, max.	2.5 mm
Wall thickness, min.	0.9 mm		

**Temperatures**

Operating temperature	-40 °C...85 °C
-----------------------	----------------

**Environmental Product Compliance**

REACH SVHC	Lead 7439-92-1
------------	----------------

**General Info**

Connection 1	M12	Connection 2	Solder connection
Configuration	Reflow compatible, Back panel mounting	Housing main material	CuZn
Category	Cat.6 <sub>A</sub> / Class E <sub>A</sub> (ISO/IEC 11801 2010)	Connection thread	M12
Contact material	CuZn	Contact surface	Gold over nickel
Shielding material	CuSn	Shielding	360° all-round enclosure
Protection degree	IP67, when screwed in	Plugging cycles	≥ 100

**Electrical properties**

Current-carrying capacity at 50 °C	0.5 A @ 40 °C	Insulation strength	100 MΩ
Rated voltage	48 V		

**General standards**

Certificate no. (cULus)	E316369	Connector standard	IEC 61076-2-109
-------------------------	---------	--------------------	-----------------

**Classifications**

ETIM 6.0	EC002638	ETIM 7.0	EC003568
ECLASS 9.0	27-44-03-09	ECLASS 9.1	27-44-03-09
ECLASS 10.0	27-44-03-09	ECLASS 11.0	27-44-01-10

**Approvals**

Approvals



ROHS	Conform
UL File Number Search	E316369

**Downloads**

Approval/Certificate/Document of Conformity	<a href="#">DUXR.E316369</a> <a href="#">CC Link IE Field M12-X</a> <a href="#">PROFINET Manufacturer's Declaration</a>
Engineering Data	<a href="#">STEP</a>
User Documentation	<a href="#">MAN IE GUIDE DE</a> <a href="#">MAN IE GUIDE EN</a>

Creation date March 23, 2021 11:10:10 PM CET

Catalogue status 12.03.2021 / We reserve the right to make technical changes.

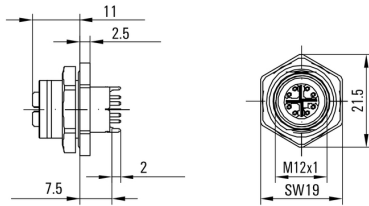
IE-PCBR2-M12X-S-180

Weidmüller Interface GmbH & Co. KG  
Klingenbergstraße 26  
D-32758 Detmold  
Germany

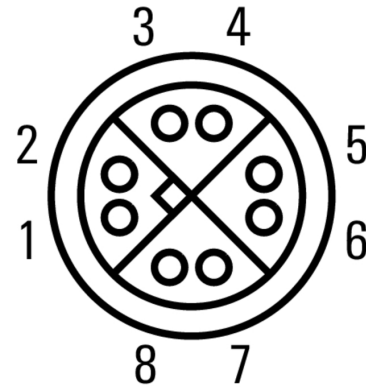
www.weidmueller.com

Drawings

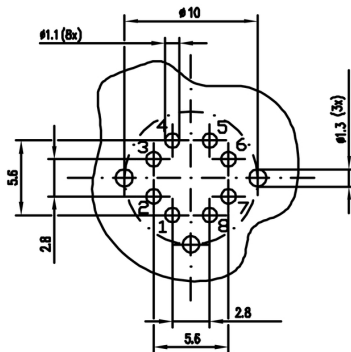
Dimensioned drawing



Pinning



Drilling template



Installation cut-out

