

AMG FIM-C EX**Weidmüller Interface GmbH & Co. KG**

Klingenbergstraße 26

D-32758 Detmold

Germany

www.weidmueller.com



Similar to illustration

Efficient machine and facility operation calls for fail-safe and maintenance-friendly control voltage distribution that can be installed in a time and space-saving manner.

With the new maxGUARD system, the terminal blocks (previously installed separately) for distributing potential to the outputs of the electronic load monitors become an integral part of a 24 V DC control voltage distribution system.

The innovative combination of load monitoring and potential distribution saves time during installation, increases safety against failure and reduces the amount of space required on the terminal rail by 50%.

General ordering data

Version	Supply module, 24 V DC
Order No.	2082540000
Type	AMG FIM-C EX
GTIN (EAN)	4050118419719
Qty.	1 pc(s).

AMG FIM-C EX

Weidmüller Interface GmbH & Co. KG
 Klingenbergstraße 26
 D-32758 Detmold
 Germany

www.weidmueller.com

Technical data

Dimensions and weights

Depth	96.5 mm	Depth (inches)	3.799 inch
Height	125 mm	Height (inches)	4.921 inch
Net weight	78 g	Width	12.2 mm
Width (inches)	0.48 inch		

Temperatures

Storage temperature	-40 °C...85 °C	Operating temperature	-25 °C...55 °C
---------------------	----------------	-----------------------	----------------

Probability of failure

MTTF	500 Years
------	-----------

Environmental Product Compliance

REACH SVHC	Lead 7439-92-1
------------	----------------

Input

Connection system	PUSH IN	Current consumption (full load)	120 mA
Current consumption (idle)	20 mA	DC input voltage range	18...30 V DC
Input fuse (internal)	No	Rated input voltage	24 V DC
Surge protection	Suppressor diode	max. admissible residual ripple at the input	100 mVpp

Output

Connection system	PUSH IN	Surge protection	Suppressor diode
-------------------	---------	------------------	------------------

General data

Control inputs	Reset	Operating temperature	-25 °C...55 °C
Surge voltage category	III		

Insulation coordination

Surge voltage category	III
------------------------	-----

Connection data (input)

Conductor cross-section, AWG/kcmil , max.	6	Conductor cross-section, AWG/kcmil , min.	18
Conductor cross-section, flexible , min.	0.75 mm ²	Conductor cross-section, rigid , max.	10 mm ²
Conductor cross-section, rigid , min.	0.75 mm ²	Connection system	PUSH IN
Wire connection cross section, flexible (input), max.	16 mm ²		

Connection data (output)

Conductor cross-section, AWG/kcmil , max.	12	Conductor cross-section, AWG/kcmil , min.	26
Conductor cross-section, flexible , max.	1.5 mm ²	Conductor cross-section, flexible , min.	0.14 mm ²
Conductor cross-section, rigid , max.	1.5 mm ²	Conductor cross-section, rigid , min.	0.14 mm ²
Connection system	PUSH IN	Number of terminals	2 (I< / Alarm)

Creation date March 26, 2021 10:21:55 PM CET

AMG FIM-C EX

Weidmüller Interface GmbH & Co. KG

Klingenbergstraße 26

D-32758 Detmold

Germany

www.weidmueller.com

Technical data

Signalling

LED green	Operating voltage OK	Red LED	Alarm
Yellow LED	External reset is signalled, Alarm is signalled		

Approvals

Certificate No. (ATEX)	DEMKO17ATEX1870X	Certificate no. (cULus)	E258476
Certificate no. (cULusEX)	E470829	Institute (cULus)	CULUS
Institute (cULusEX)	CULUSEX	Institute(ATEX)	DEMKOATEX

Classifications

ETIM 6.0	EC000897	ETIM 7.0	EC000897
ECLASS 9.0	27-14-11-20	ECLASS 9.1	27-14-11-20
ECLASS 10.0	27-14-11-20	ECLASS 11.0	27-14-11-20

Approvals

Approvals



ROHS	Conform
UL File Number Search	E258476

Downloads

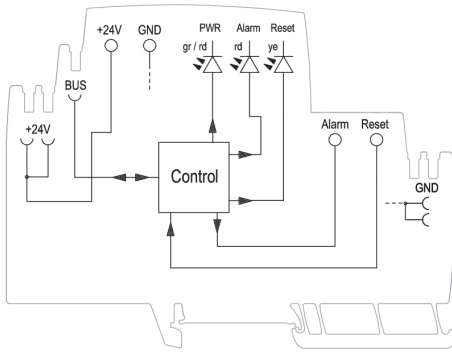
Approval/Certificate/Document of Conformity	Declaration of Conformity
Engineering Data	STEP
Engineering Data	EPLAN
User Documentation	Manual_maxGUARD Operating instructions

AMG FIM-C EX

Weidmüller Interface GmbH & Co. KG
Klingenbergstraße 26
D-32758 Detmold
Germany

www.weidmueller.com

Drawings



Schematic circuit diagram