

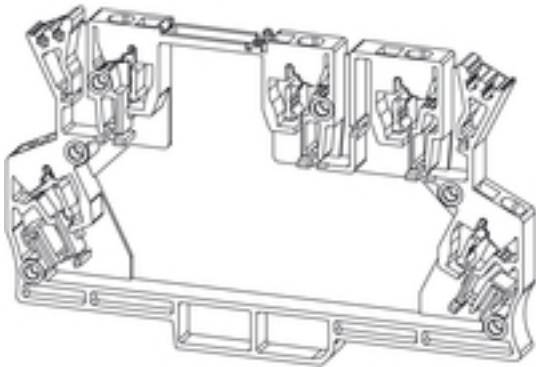
RA MCZ1.5 DKBG 1674**Weidmüller Interface GmbH & Co. KG**

Klingenbergstraße 26

D-32758 Detmold

Germany

www.weidmueller.com



Open miniature housing in modular terminal format with five tension clamp connections. A transparent hinged top plate can be used for labelling and provides access to potentiometer and status displays. Plug-in cross-connectors can be used to interconnect the three top connections. A cover plate for closing off the housing is also available.

General ordering data

Version	Small housing, OMNIMATE Housing - TERMINALBOX grey-beige, Extension frame
Order No.	2224240000
Type	RA MCZ1.5 DKBG 1674
GTIN (EAN)	4032248126262
Qty.	25 pc(s).

Creation date March 26, 2021 10:34:36 PM CET

Catalogue status 12.03.2021 / We reserve the right to make technical changes.

RA MCZ1.5 DKBG 1674

Weidmüller Interface GmbH & Co. KG
 Klingenbergstraße 26
 D-32758 Detmold
 Germany

www.weidmueller.com

Technical data

Dimensions and weights

Net weight	8.612 g
------------	---------

Temperatures

Storage temperature	-25 °C...55 °C	Humidity at storage temperature	80 % relative humidity (without condensation)
Operating temperature	-50 °C...120 °C	Installation temperature	-25 °C...120 °C

Design - IN requirements

PCB thickness	1 mm	Tolerance for the PCB shape	±0.1
Tolerance of circuit board thickness	±0.1 mm		

Individualization options

Alternative colours	More on request	Customer specific cutouts possible	No
Customer specific labelling possible	No		

Assembly properties

Number of connection levels	2	Number of PCB boards, max.	1
Continuous current of cross-connection	10 A	Continuous current of cross-connection/ PCB	32 A
Cross-connection	Yes	Type of connection	without, Connection element

Housing properties

Flip cover mountable	Yes	Marker integrateable	Yes
----------------------	-----	----------------------	-----

General data

Colour	grey-beige	Encapsulation option	Yes
Protection degree	IP20		

Material data

Comparative Tracking Index (CTI)	≥ 600	Insulating material group	I
UL 94 flammability rating	V-0		

Approvals

ROHS	Conform
------	---------

Downloads

Engineering Data	PCB contour with soldering pads STEP
------------------	--

RA MCZ1.5 DKBG 1674

Weidmüller Interface GmbH & Co. KG
Klingenbergstraße 26
D-32758 Detmold
Germany

www.weidmueller.com

Drawings

Mounting with
8857560000 MCZ 5

